



RF DIRECTIONAL  
THRULINE® WATTMETER

MODEL 4304A

©COPYRIGHT 2011 BY BIRD ELECTRONIC CORPORATION  
INSTRUCTION BOOK PART NUMBER 920-4304A REV. F

THRULINE® AND TERMALINE® ARE REGISTERED TRADEMARKS  
OF BIRD ELECTRONIC CORPORATION



## Safety Precautions

---

The following are general safety precautions that are not necessarily related to any specific part or procedure, and do not necessarily appear elsewhere in this publication. These precautions must be thoroughly understood and apply to all phases of operation and maintenance.

**WARNING**

**Keep Away From Live Circuits**

Operating Personnel must at all times observe general safety precautions. Do not replace components or make adjustments to the inside of the test equipment with the high voltage supply turned on. To avoid casualties, always remove power.

**WARNING**

**Shock Hazard**

Do not attempt to remove the RF transmission line while RF power is present.

**WARNING**

**Do Not Service Or Adjust Alone**

Under no circumstances should any person reach into an enclosure for the purpose of service or adjustment of equipment except in the presence of someone who is capable of rendering aid.

**WARNING**

**Safety Earth Ground**

An uninterruptible earth safety ground must be supplied from the main power source to test instruments. Grounding one conductor of a two conductor power cable is not sufficient protection. Serious injury or death can occur if this grounding is not properly supplied.

**WARNING**

**Resuscitation**

Personnel working with or near high voltages should be familiar with modern methods of resuscitation.

**WARNING**

**Remove Power**

Observe general safety precautions. Do not open the instrument with the power on.

## Safety Symbols

---

### WARNING

Warning notes call attention to a procedure, which if not correctly performed, could result in personal injury.

### CAUTION

Caution notes call attention to a procedure, which if not correctly performed, could result in damage to the instrument.



The caution symbol appears on the equipment indicating there is important information in the instruction manual regarding that particular area

**Note:** *Calls attention to supplemental information.*

## Warning Statements

---

The following safety warnings appear in the text where there is danger to operating and maintenance personnel, and are repeated here for emphasis.

### WARNING

Never attempt to connect or disconnect equipment RF equipment from the transmission line while RF power is being applied.  
Leaking RF energy is a potential health hazard.

### WARNING

When working with RF powers of 200 watts or more, the potential of the center conductor of the line section will exceed 100 volts.  
Do not touch the center conductor while RF power is on.

## Caution Statements

---

The following equipment cautions appear in the text whenever the equipment is in danger of damage, and are repeated here for emphasis.

**CAUTION**

Do not drop. Calibration could be disturbed or the meter could be damaged as a result.

**CAUTION**

Above 800 MHz, do not exceed 150 W RF power.

**CAUTION**

RF power must not exceed range switch setting.

**CAUTION**

Do not attempt to remove the RF center conductor. This will damage the line section.

**CAUTION**

When handling the circuit board, use caution:  
Do not bend the dc contact finger that extends into the line section.  
Do not lose the contact finger insulator or the spacers on the mounting screws.  
Do not disturb the potentiometer settings.

## **Safety Statements**

---

### **USAGE**

ANY USE OF THIS INSTRUMENT IN A MANNER NOT SPECIFIED BY THE MANUFACTURER MAY IMPAIR THE INSTRUMENT'S SAFETY PROTECTION.

### **USO**

EL USO DE ESTE INSTRUMENTO DE MANERA NO ESPECIFICADA POR EL FABRICANTE, PUEDE ANULAR LA PROTECCIÓN DE SEGURIDAD DEL INSTRUMENTO.

### **BENUTZUNG**

WIRD DAS GERÄT AUF ANDERE WEISE VERWENDET ALS VOM HERSTELLER BESCHRIEBEN, KANN DIE GERÄTESICHERHEIT BEEINTRÄCHTIGT WERDEN.

### **UTILISATION**

TOUTE UTILISATION DE CET INSTRUMENT QUI N'EST PAS EXPLICITEMENT PRÉVUE PAR LE FABRICANT PEUT ENDOMMAGER LE DISPOSITIF DE PROTECTION DE L'INSTRUMENT.

### **IMPIEGO**

QUALORA QUESTO STRUMENTO VENISSE UTILIZZATO IN MODO DIVERSO DA COME SPECIFICATO DAL PRODUTTORE LA PROZIONE DI SICUREZZA POTREBBE VENIRNE COMPROMESSA.

## **SERVICE**

SERVICING INSTRUCTIONS ARE FOR USE BY SERVICE - TRAINED PERSONNEL ONLY. TO AVOID DANGEROUS ELECTRIC SHOCK, DO NOT PERFORM ANY SERVICING UNLESS QUALIFIED TO DO SO.

## **SERVICIO**

LAS INSTRUCCIONES DE SERVICIO SON PARA USO EXCLUSIVO DEL PERSONAL DE SERVICIO CAPACITADO. PARA EVITAR EL PELIGRO DE DESCARGAS ELÉCTRICAS, NO REALICE NINGÚN SERVICIO A MENOS QUE ESTÉ CAPACITADO PARA HACERLO.

## **WARTUNG**

ANWEISUNGEN FÜR DIE WARTUNG DES GERÄTES GELTEN NUR FÜR GESCHULTES FACHPERSONAL. ZUR VERMEIDUNG GEFÄHRLICHE, ELEKTRISCHE SCHOCKS, SIND WARTUNGSARBEITEN AUSSCHLIEßLICH VON QUALIFIZIERTEM SERVICEPERSONAL DURCHZUFÜHREN.

## **ENTRETIEN**

L'EMPLOI DES INSTRUCTIONS D'ENTRETIEN DOIT ÊTRE RÉSERVÉ AU PERSONNEL FORMÉ AUX OPÉRATIONS D'ENTRETIEN. POUR PRÉVENIR UN CHOC ÉLECTRIQUE DANGEREUX, NE PAS EFFECTUER D'ENTRETIEN SI L'ON N'A PAS ÉTÉ QUALIFIÉ POUR CE FAIRE.

## **ASSISTENZA TECNICA**

LE ISTRUZIONI RELATIVE ALL'ASSISTENZA SONO PREVISTE ESCLUSIVAMENTE PER IL PERSONALE OPPORTUNAMENTE ADDESTRATO. PER EVITARE PERICOLOSE SCOSSE ELETTRICHE NON EFFETTUARE ALCUNA RIPARAZIONE A MENO CHE QUALIFICATI A FARLA.

**RF VOLTAGE MAY BE PRESENT IN RF ELEMENT SOCKET - KEEP ELEMENT IN SOCKET DURING OPERATION.**

**DE LA TENSION H.F. PEAT ÊTRE PRÉSENTE DANS LA PRISE DE L'ÉLÉMENT H.F. - CONSERVER L'ÉLÉMENT DANS LA PRISE LORS DE L'EMPLOI.**

**HF-SPANNUNG KANN IN DER HF-ELEMENT-BUCHSE ANSTEHEN - ELEMENT WÄHREND DES BETRIEBS EINGESTÖPSELT LASSEN.**

**PUEDA HABER VOLTAJE RF EN EL ENCHUFE DEL ELEMENTO RF - MANTENGA EL ELEMENTO EN EL ENCHUFE DURANTE LA OPERACION.**

**IL PORTAELEMENTO RF PUÒ PRESENTARE VOLTAGGIO RF - TENERE L'ELEMENTO NELLA PRESA DURANTE IL FUNZIONAMENTO.**



## About This Manual

---

This manual covers the operating and maintenance instructions for the following models:

43	43P	4301	4305A	4431	4527
4521	4522	4526			

## Changes to this Manual

---

We have made every effort to ensure this manual is accurate. If you discover any errors, or if you have suggestions for improving this manual, please send your comments to our Solon, Ohio factory. This manual may be periodically updated. When inquiring about updates to this manual refer to the part number and revision on the title page.

## Literature Contents

### Chapter Layout

---

**Introduction** — Describes the features of the 43 Wattmeter, lists equipment supplied and optional equipment, and provides power-up instructions.

**Theory of Operation** — Describes how the 43 Wattmeter works and

**Installation** — Describes how to set up and prepare the 43 Wattmeter for use.

**Operation** - All instructions necessary to operate the equipment appears in this chapter.

**Maintenance** — Lists routine maintenance tasks as well as troubleshooting for common problems.

**Model Differences** — Describes how each individual models vary from each other.

**Specifications** — Specifications and parts information are included in this chapter.

---

# TABLE OF CONTENTS

<b>Safety Precautions</b> .....	<b>iii</b>
Safety Symbols .....	iv
Warning Statements .....	iv
Caution Statements .....	v
Safety Statements .....	vi
<b>About This Manual</b> .....	<b>ix</b>
Changes to this Manual .....	ix
Chapter Layout .....	ix
<b>Chapter 1 Introduction</b> .....	<b>1</b>
<b>Chapter 2 Theory of Operation</b> .....	<b>3</b>
Travelling Wave Viewpoint .....	3
Coupling Circuit .....	4
Load Power .....	5
Standing Wave vs. Traveling Wave Viewpoint .....	5
$\rho$ vs. $\phi$ .....	5
Component Testing .....	8
Impedance Mismatch .....	9
<b>Chapter 3 Installation</b> .....	<b>11</b>
Connections .....	11
Load Matching .....	11
<b>Chapter 4 Operating Instructions</b> .....	<b>13</b>
Normal Operation .....	13
Low Frequency .....	13
VSWR Measurements .....	13
<b>Chapter 5 Maintenance</b> .....	<b>17</b>
Cleaning .....	17
Troubleshooting .....	17
Zero Adjust .....	19
Connector Replacement .....	19
Element Removal .....	19
Back Cover Removal .....	19
Line Section Replacement .....	20
Meter Replacement .....	20
Calibration Checks .....	21
Seup Test .....	21
Calibrating a Bird Element 4304A-1 .....	21

Storage ..... 23  
Customer Service ..... 24  
Specifications ..... 25  
Replacement Parts ..... 25  
Available "QC" Type Connectors ..... 26  
**Limited Warranty .....27**

### Purpose and Function

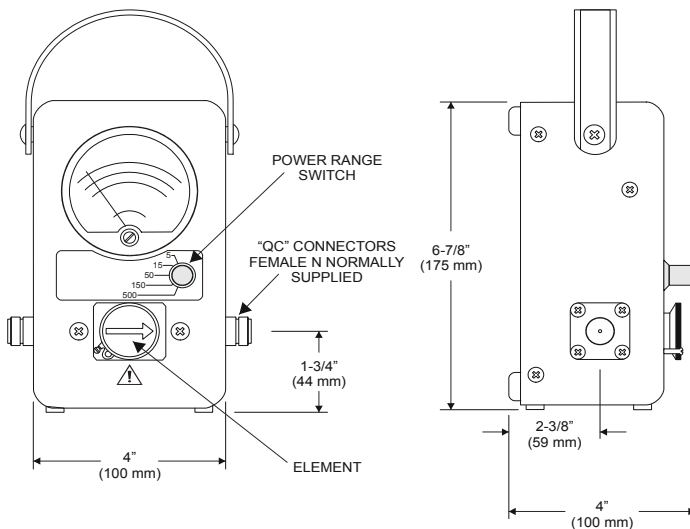
The Bird 4304A Wattmeter is an in-line sensor that measures RF power and load match in 50Ω coaxial transmission lines. It can be used with CW, AM, FM, and TV modulation, but not pulse modulation. It is supplied with a special broadband element with a frequency range of 25 to 1000 MHz. It can measure up to 500 W, depending on the frequency, and has a maximum VSWR of 1.07 with the standard “N” connectors. A range switch allows the full scale power to be reduced for greater accuracy.

The wattmeter is portable, with an included carrying strap. It has an aluminum housing and an easily removed back cover, with bumpers on the base and back that allow the meter to stand or lie flat. For additional protection, the microammeter is specially shock mounted. A screw on the lower front face of the meter is used to zero the pointer. Below the meter face, the RF line section protrudes slightly from the wattmeter housing with the element socket in the center.

The RF line section is precision machined to provide the best possible impedance match to the transmission line under test. A formed phosphor-bronze spring finger protrudes into the element socket to make contact with the element. At each end of the line section are Bird Quick-Change RF connectors that may be interchanged with any other Bird “QC” connector. The wattmeter housing does not interfere with connector changes.

Combining the ThruLine Wattmeter with a Bird Termaline Load Resistor creates an accurate absorption wattmeter. With this combination, readings only need to be taken in the forward direction because the reflected power will be negligible.

**Figure 1 Bird 4304A ThruLine Wattmeter Outline Drawing**





## Travelling Wave Viewpoint

The easiest way to visualize Thru-line operation is from a travelling wave viewpoint. In transmission lines the voltages, currents, standing waves, etc., on any uniform line section result from the interaction of two travelling waves:

- The forward wave (and its power) travels from the source to the load. It has RF voltage  $E_f$  and current  $I_f$  in phase, with  $E_f / I_f = Z_0$ .
- The reflected wave (and its power) originates by reflection at the load and travels from the load back to the source. It has an RF voltage  $E_r$  and current  $I_r$  in phase, with  $E_r / I_r = Z_0$ .

Each wave is mathematically simple and has a constant power:

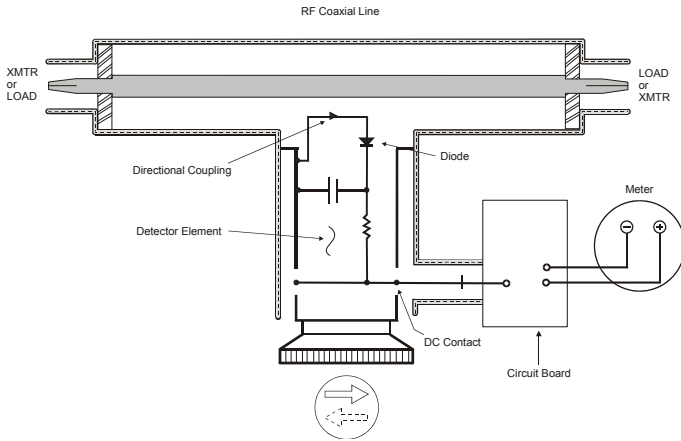
$$W_f = \text{WattsForward} = E_f^2 / Z_0 = I_f^2 Z_0 = E_f I_f$$

$$W_r = \text{WattsReflected} = E_r^2 / Z_0 = I_r^2 Z_0 = E_r I_r$$

**Note:**  $Z_0$  is the characteristic impedance of a uniform line section. For useful lines it is usually a pure resistance of  $50\Omega$ . The RF circuit of the Bird 43 is a length of uniform air line with  $Z_0 = 50\Omega$ .

# Coupling Circuit

**Figure 2 Thruline Wattmeter Schematic**



The element, which contains the coupling circuit, and its relationship to the rest of the Bird 4304A is shown in Figure 2. Current is produced in the coupling circuit by travelling waves in the line section, through both inductive and capacitive coupling. The inductive current flows in the direction of the travelling wave, while the capacitive current is independent of the direction of the wave. Therefore, the inductive current produced by one travelling wave will add in phase with the corresponding capacitive current, while that produced by the wave travelling in the opposite direction will subtract. The additive or “arrow” direction is assigned to the forward wave.

The electrical characteristics of the element are carefully adjusted so that, for the reverse wave, the inductive current will completely cancel the capacitive current, giving a directivity greater than 20 dB. Thus, the element is sensitive at either of its settings, but to only one of the two travelling waves. Thruline Wattmeter measurements are also independent of position along the transmission line.

Like similar diode devices, the Bird 4304A indicates the carrier component of amplitude modulation, with very little response to side band components added by modulation.

## Load Power

---

For loads with a VSWR of 1.2 or less, the power dissipated in a load ( $W_l$ ) is equivalent (with less than one percent error) to the forward power ( $W_f$ ). When appreciable power is reflected, as with an antenna, it is necessary to use the exact load power which is given by:

$$W_l = \text{WattsIntoLoad} = W_f - W_r$$

Good load resistors, such as Bird Termline loads, will give negligible reflected power.

## Standing Wave vs. Traveling Wave Viewpoint

---

As mentioned previously, the ThruLine Wattmeter reacts to forward and reverse travelling waves to measure power in a transmission line. The standing wave viewpoint, also widely used, is highly developed both in theory and in practice. This viewpoint can be traced to the early use of slotted transmission lines.

The slotted line measures the standing wave ratio by mechanically positioning a voltage detector at peaks and nulls along a length of line section. Its drawbacks are that it is usually too long, too expensive for good accuracy, not portable, and too slow. These problems grow rapidly as the measurement frequency drops below 1000 MHz. The ThruLine Wattmeter by comparison is fast, convenient, and accurate. It provides the same information as a slotted line with the exception of the phase angle of the reflection coefficient (distance, load to minimum).

## $\rho$ vs. $\phi$

---

The simple relationships:

$$\rho = \frac{1 + \sqrt{\phi}}{1 - \sqrt{\phi}} \text{ and } \phi = \left[ \frac{\rho - 1}{\rho + 1} \right]^2 \quad \begin{array}{l} \text{Where } \rho = \text{VSWR} \\ \text{and } \phi = W_r / W_f \end{array}$$

can be used to convert between the standing wave ratio ( $\rho$ ) and the reflected/forward power ratio ( $\phi$ ), which can be directly read from the ThruLine Wattmeter. The relationship between  $\rho$  and  $\phi$  is graphed in Figure 3 and Figure 4.

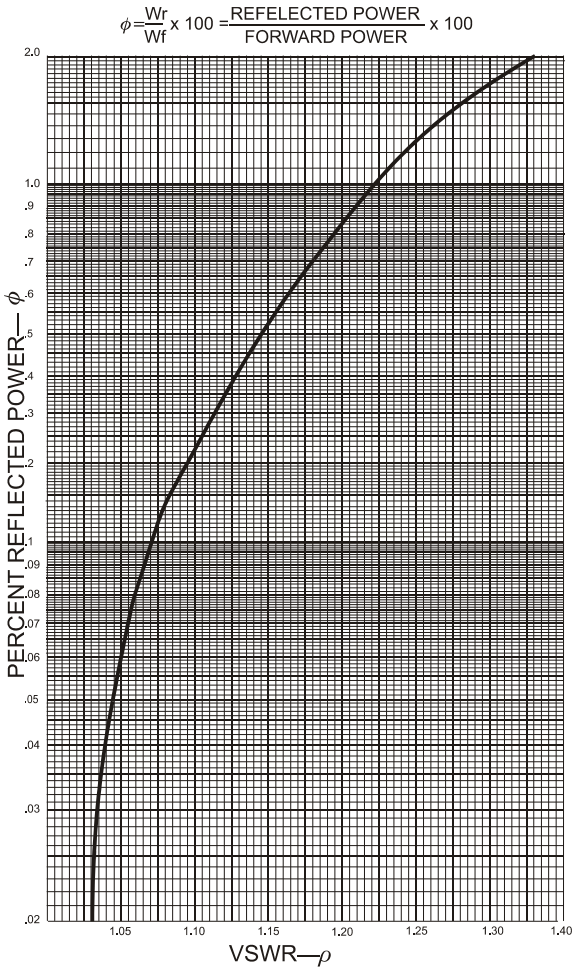
**Note:** Attenuation, measured in dB, can be derived from the power ratio by the equation  $N_{\text{dB}} = 10 \log \phi$ .

VSWR scales and their attendant controls for setting the reference point have been intentionally omitted from the Bird 4304A. Experience using the ThruLine Wattmeter for transmitter tune-up, antenna matching, etc. will show that the power ratio measurement is as useful in practice as the standing wave ratio.

A trial is suggested – forget about VSWR for a few days and think in terms of  $\phi = W_r / W_f$ . The two meter readings,  $W_r$  and  $W_f$ , give a useful, approximate picture of the results without bothering to calculate the power ratio exactly. Consider that, for an antenna matching problem, the main objective usually is to minimize  $W_r$ . Anything done experimentally to this end will be seen when the element is turned to the reflected power position.

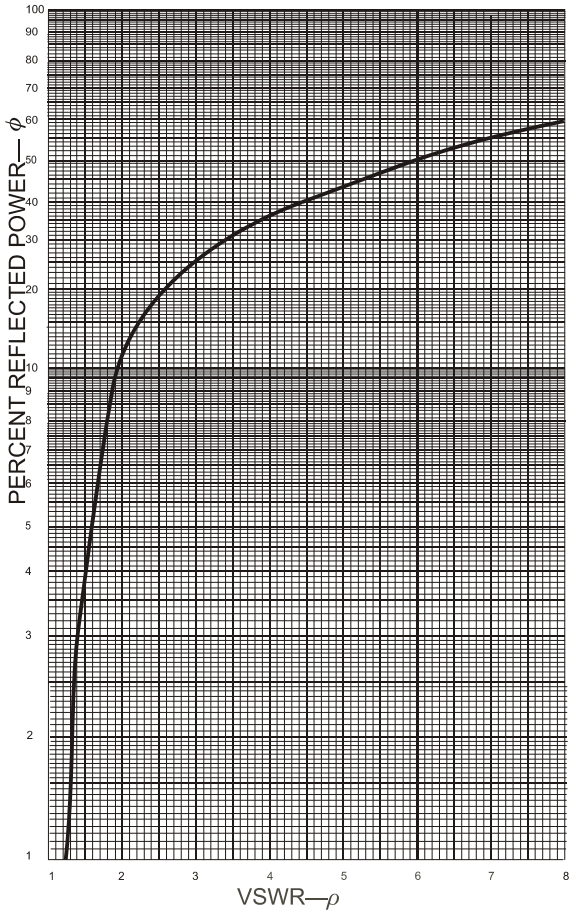


**Figure 3 Percent Reflected Power vs. VSWR (1.0 – 1.3)**



**Figure 4 Percent Reflected Power vs. VSWR (1.0 – 8.0)**

$$\phi = \frac{W_r}{W_f} \times 100 = \frac{\text{REFLECTED POWER}}{\text{FORWARD POWER}} \times 100$$



## Component Testing

---

The Bird 4304A is very helpful in component testing, and may be employed in several ways:

**Note:** *Measuring small attenuations requires correction for normal instrument errors. For two wattmeters, do this by simply connecting the wattmeters directly, with no line between them, and adjusting their zero settings. For one, make sure to note exact readings, or their difference, on the initial equality check, and correct for this.*

- Insertion VSWR or  $\phi$  may be measured by placing the component between the wattmeter and a good load resistor.
- Attenuation (power lost by heat in a line) as well as insertion VSWR or  $\phi$  may be measured by inserting the unknown line between two Thru-line wattmeters, or between a Thru-line wattmeter and a Termline absorption wattmeter.
- Line loss using open circuit calibration: The high directivity of elements can be exploited in line loss measurements by having the load connector open or short circuited. The forward and reflected waves then have equal power, so that  $\phi = 100\%$  and  $\rho = \infty$ . Open circuit testing is preferred, because a high quality open is easier to create than a high quality short. To measure insertion loss, use an open standard to check forward and reverse power equality, then connect an open, unknown line to the wattmeter. The measured  $\phi$  is the attenuation for *two* passes along the line (down and back). This can then be compared with published data for line type and length (remember to halve  $N_{dB}$  or double the line length).

**Note:** *This measurement should be supplemented with either time domain reflectometry or dc continuity and leakage checks, since the attenuation measurement alone cannot detect faults such as open or short circuits partway down the line.*

## Impedance Mismatch

---

In some cases it may be necessary to use the Bird 4304A with a non-50Ω transmission line. If the reflected power is less than 10% and the frequency is below 200 MHz, the resulting mismatch will not be too serious. At higher frequencies or reflected power levels, the load impedance will change when the wattmeter is removed.

When the line and load impedances are known, the system's VSWR equals the ratio of the two. Always divide the larger impedance by the smaller, since VSWR must be greater than 1.

**Example** - Consider using a Bird 4304A to tune a 70Ω line. If the load impedance is also 70Ω, the wattmeter will measure a VSWR of  $70/50 = 1.4$ . However, if you remove the wattmeter, the VSWR will actually be 1.0. Similarly, if the load impedance is 35.7Ω, the VSWR will be  $50/35.7 = 1.4$  with the wattmeter and  $70/35.7 = 2.0$  without it. Caution must therefore be used, since both good and bad matches can have the same measured VSWR. In this case, the correct impedance can be determined by slightly changing the load impedance. When the load impedance is near 70Ω, the Bird 43 will read increasing VSWR as the load impedance is increased.

**Note:** When working with non-50Ω lines, it is especially important to calculate the exact load power by subtracting the reflected power from the forward power.



When transporting the Bird 4304A, turn the element so that the arrow points down and set the range switch to 5 W. This will shunt the meter circuit and protect the meter by dampening needle action.

**WARNING**

Never attempt to connect or disconnect RF equipment from the transmission line while RF power is being applied.  
Leaking RF energy is a potential health hazard.

**CAUTION**

Do not drop. Calibration could be disturbed or the meter could be damaged as a result.

---

**Connections**

---

Insert the Bird 4304A in coaxial transmission lines of 50Ω nominal impedance. The RF source can be connected to either side of the wattmeter without affecting readings.

If non-50Ω cables are used, a mismatch will occur causing inaccuracies in readings. It is strongly advised that this condition be avoided. If this is not possible, refer to "Impedance Mismatch" on page 9 for instructions on how to calculate the actual VSWR.

---

**Load Matching**

---

When a Bird 4304A is used to tune a load to a transmitter and a good match is obtained, removing the wattmeter will not change the match quality. A 50Ω load can terminate a 50Ω transmission line of any length without altering conditions at the transmitter. The wattmeter is just an additional length of 50Ω line.

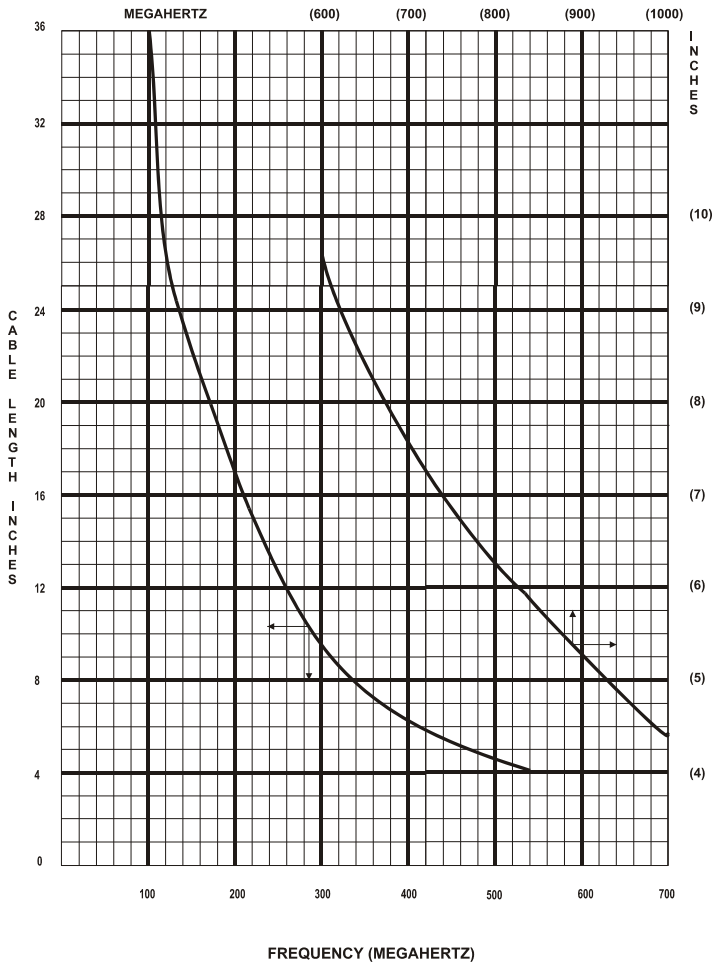
When the load is not well matched, e.g. an antenna with a VSWR of 2.0, the line length between load and transmitter will transform the impedance as seen at the transmitter. Removing the wattmeter shortens the total line length by four inches plus two connectors. This is still not significant at low frequencies where four to five inches is a small fraction of a wavelength, but at higher frequencies the transmitter's frequency or power output may be affected.

Transmission line theory shows that if the line length changes by exactly  $\frac{1}{2}$  wavelength, the impedance at the transmitter will not change. So, to have identical match with the Bird 4304A in or out of the circuit, it is necessary to insert or remove  $\frac{1}{2}$  wavelength of line (including the wattmeter). Use a length of cable which, when added to the wattmeter, equals  $\frac{1}{2}$  wavelength at the frequency of interest. If more than one frequency is involved, a separate cable length is required for each. See Figure 5 for sample cable lengths.

**Note:** Cable length is measured from end to end of the outer conductor of the connectors, except for UHF and mini-UHF plugs where it is measured from tip to tip of the center pins.

**Note:** Dimensions shown are for solid polyethylene cable such as RG-58C/U or RG-8/U, which have a velocity of propagation 66% of that of air. If RG-58 or RG-8 type cables with foam polyethylene (v.p. of 79%) are used, multiply the dimensions in the graph by the ratio of the relative velocities;  $79\% \div 66\% = 1.2$  in this case.

**Figure 5 Cable Length / Wavelength Matching**



**WARNING**

When working with RF powers of 200 watts or more, the potential of the center conductor of the line section will exceed 100 volts. Do not touch the center conductor while RF power is on.

**CAUTION**

Above 800 MHz, do not exceed 150 W RF power.

**CAUTION**

RF power must not exceed range switch setting.

---

**Normal Operation**

---

1. Turn the element so that the arrow points towards the load to measure forward power.
2. Turn it so that the arrow points towards the source to measure reflected power.
3. Set the range switch to 500 W.
4. Turn on the RF source.
5. Read the power using the scale with 500 W full-scale.

**Note:** For greater accuracy, after estimating the power with 500W full-scale, set the range switch so the power is in the upper third of the scale.

---

**Low Frequency**

---

For frequencies below 100 MHz, a correction factor must be applied to the reading. The correction table is located on the back cover plate of the unit. Multiply the measured power by the correction factor to determine the actual power.

---

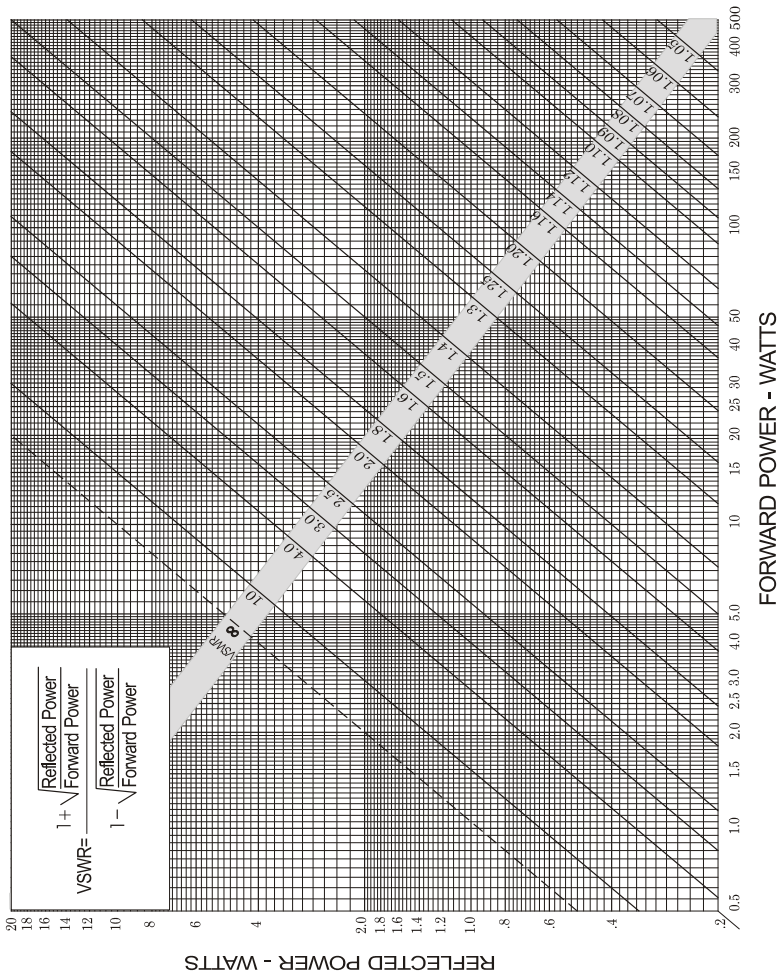
**VSWR Measurements**

---

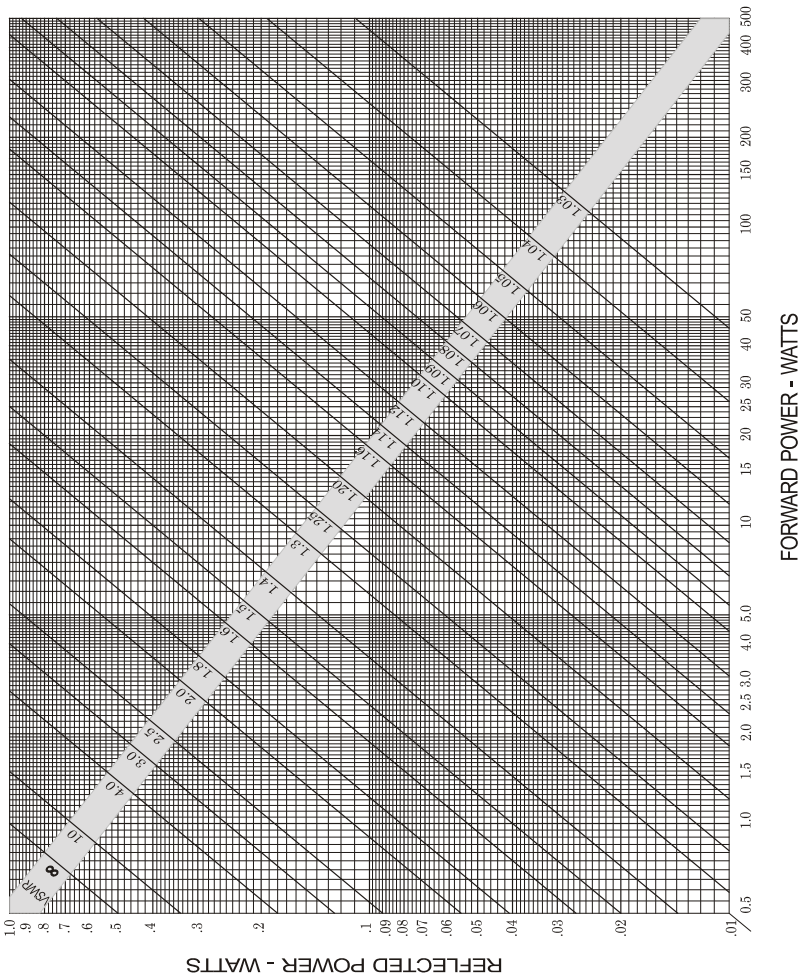
For your convenience, a set of VSWR conversion nomographs in Figure 6 on page 14 and Figure 7 on page 15. With these charts, VSWR may be determined from the forward and reflected power readings. Find the intersection of the forward and reflected power measurements. The slanted line passing closest to this point indicates the VSWR.



Figure 6 VSWR Conversion Graph (Reflected Power 0.2 – 20.0)



**Figure 7 VSWR Conversion Graph (Reflected Power 0.01 – 1.00)**





**WARNING**

Never attempt to connect or disconnect RF equipment from the transmission line while RF power is being applied.  
Leaking RF energy is a potential health hazard.

**CAUTION**

Do not drop. Calibration could be disturbed or the meter could be damaged as a result.

The rugged and simple design of the Bird 4304A means that it requires minimal routine maintenance.

---

**Cleaning**

It is important to keep the following surfaces clean:

- Socket bore
- DC contacts on the element
- Teflon insulators

If any of the contacts or line connectors are dirty, clean them with a cotton swab dipped in commercial contact cleaner or isopropyl alcohol.

**CAUTION**

Do not attempt to remove the RF center conductor.  
This will damage the line section.

If the RF line section seems dirty, do not loosen any connections. Clean accessible components as described above and use dry, clean air to blow out the interior.

The outside of the meter housing can be cleaned with a soft cloth dampened with a mild detergent solution. Do not wipe the meter glass with a dry cloth, or a static charge could develop that would cause an erroneous meter indication.

---

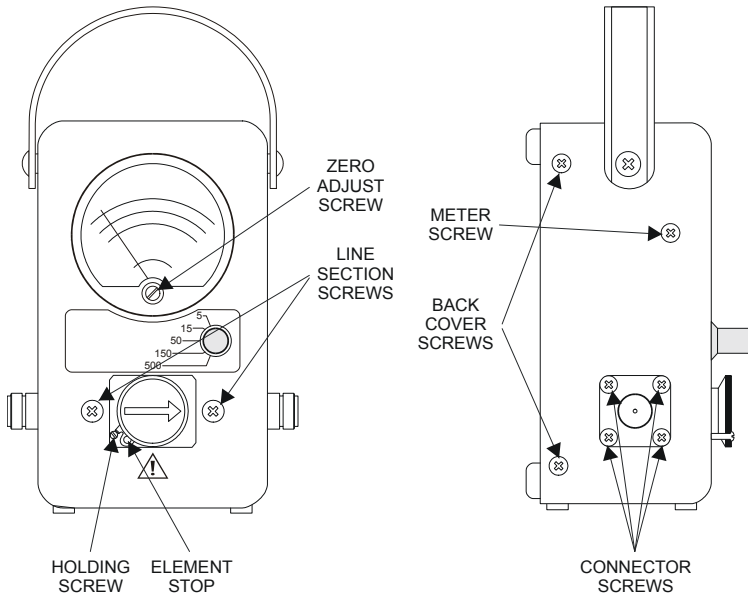
**Troubleshooting**

The following table contains troubleshooting information for problems that can occur during normal operation. Find the problem on the table, review possible causes, and perform the corrective action listed.

This manual does not list all malfunctions that may occur, or all corrective actions. If a malfunction is not listed or not corrected by the listed actions, contact the nearest Bird Service Center for assistance.

Problem	Possible Cause	Corrective Action
No meter reading	No RF power	Check RF source
	“Arrow” on element pointing wrong way	Rotate element
	Meter burned out or damaged	Replace the meter. Refer to page 20.
Intermittent or inconsistent meter reading	Dirty dc contact	Clean contact
	Faulty transmission line or antenna	Inspect line
	Sticky or defective meter	Replace the meter. Refer to page 20.
High VSWR or reflected power	Foreign material in line section or in RF connectors	Clean connectors
	Open or shorted transmission line	Inspect line
	Bad load or poor connectors	Inspect load, antenna, and connectors

**Figure 8 Maintenance Locations**



## Zero Adjust

---

The meter's zero setting should be checked when no RF power is present. When no power is applied the pointer should rest exactly on zero. If adjustment is required, turn the adjustment screw until the pointer is set at zero (see Figure 8 on page 18).

## Connector Replacement

---

**WARNING**

Never attempt to connect or disconnect RF equipment from the transmission line while RF power is being applied.  
Leaking RF energy is a potential health hazard.

The Bird 4304A has Bird "QC" connectors which are designed to be easily changed. To change the connector, remove the four screws at its corners and then pull it straight out. Push the new connector in, making sure that the center pin on the connector aligns with the socket, and screw into place.

## Element Removal

---

**Note:** *If the element is replaced, the unit will need to be returned to a Bird Service Center for recalibration. Changing elements without recalibrating will result in inaccurate readings.*

1. Remove the screw at the lower left corner of the element socket.
2. Move the stop over the hole where the screw had been until it is free from the element.
3. Pull the element out while turning slightly clockwise.
4. To replace the element, reverse these steps.

**Note:** *Ensure that the stop is on the element before replacing the screw.*

## Back Cover Removal

---

**Note:** *The back cover must be removed before replacing the line section or meter (see Figure 8 on page 18):*

1. Remove the screws on the rear of either side of the housing.
2. Pull the back cover off.

## Line Section Replacement

---

1. Remove the element (See "Element Removal" on page 19).
2. Use a  $\frac{5}{16}$ " hex wrench to loosen the nuts on the meter terminals. Remove the wires from the terminals.
3. Use a  $\frac{5}{16}$ " allen wrench to loosen the set screws on the range switch knob. Remove the knob.
4. While supporting the line section, remove the screws on the front of the housing, located on either side of the element socket.
5. Pull the line section and attached circuit board out the back.

### CAUTION

When handling the circuit board, use caution: Do not bend the DC contact finger that extends into the line section. Do not lose the contact finger insulator or the spacers on the mounting screws.  
Do not disturb the potentiometer settings.

6. Remove both screws securing the circuit board to the line section and remove the circuit board.
7. Replace the line section and reassemble by reversing these steps.

**Note:** *The circuit board cannot be replaced in the field. If the circuit board is defective, return the unit to a Bird Service Center.*

## Meter Replacement

---

1. Use a  $\frac{5}{16}$ " hex wrench to loosen the nuts on the meter terminals. Remove the wires from the terminals.
2. Remove both screws on the sides of the housing, to either side of the meter.
3. Remove the meter assembly.

**Note:** *Make sure that the shock ring, gasket, and mounting bracket are in place on the new meter. The shock ring should be on the front face of the meter, and the mounting ring and mounting bracket on the back.*

4. Align the bracket so that the mounting holes are parallel to the meter lugs.
5. Place the housing face-down on a flat surface.
6. Insert the meter assembly, pressing until the side holes line up with the holes in the housing.
7. Screw into place.

# Calibration Checks

---

## Seup Test

---

**Note:** *This test determines if the wattmeter needs recalibration:*

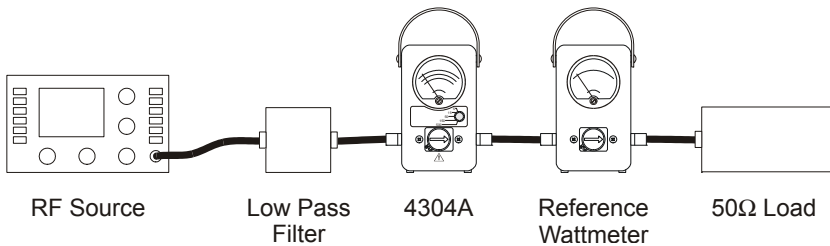
1. The following equipment is required, connected in series with the Bird 4304A (Refer to Figure 9).
  - RF source
  - Low pass filter
  - Reference, known accurate, wattmeter
  - 50Ω load
  - Cables

**Note:** *Keep all connections as short as possible to minimize mismatch and insertion losses.*

2. Set the RF source to produce a signal with power in the upper one-third of the scale for each power range.
3. Compare the reading on the Bird 4304A with the reference wattmeter.

**Note:** *If the unit is outside the stated accuracy range, return it to a Bird Service Center for calibration.*

**Figure 9 Calibration Check Setup**



## Calibrating a Bird Element 4304A-1

---

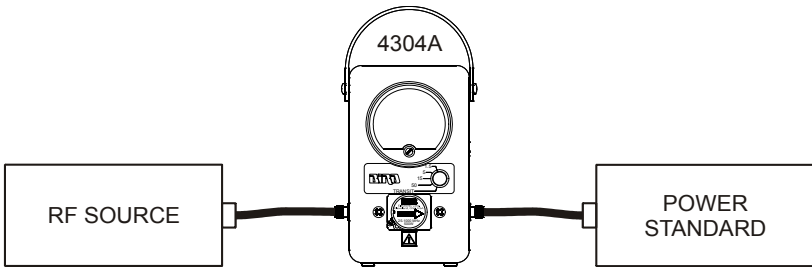
### Required Equipment

- RF source capable of 100W from 25 MHz to 1000 MHz
- RF source capable of 500 W at 405 MHz
- Power standard
- Model 4304A Wattmeter



1. Remove the rear panel from the 4304A to access the adjustment potentiometers.
2. Connect the calibration equipment as shown in Figure 10.
3. Set the range switch to 15 and adjust the RF source to apply 12.5 watts at 100 MHz.
4. Adjust R9 (Figure 11) until the 4304A meter indicates 12.5.
5. Measure the actual power for a meter reading of "12.5" for the following frequencies: 25 MHz, 50 MHz, 80 MHz, 150 MHz, 225 MHz, 400 MHz, 400 MHz, 800 MHz, and 1000 MHz.
6. Calculate the average value of the measurements in Step 5. (Add the highest and lowest values then divide by 2.)
7. Divide 156.25 by the average value calculated in Step 6 then set the RF source to this value at a frequency of 100 MHz.
8. Adjust R9 until the 4304A meter indicates 12.5 then wait several minutes before proceeding to Step 9.

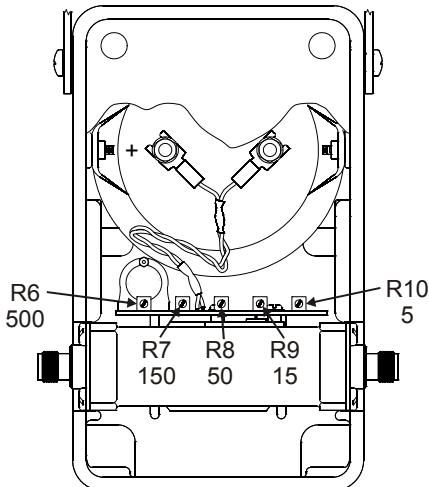
**Figure 10** *Calibrating the 4404A-1 Element*



9. Set the 4304A range switch to 5.
10. Divide 50 by the average value calculated in Step 6 then set the RF source to this value at a frequency of 100 MHz.
11. Adjust R10 until the 4304A meter indicates 4.0.
12. Set the 4304A range switch to 50.
13. Divide 500 by the average value calculated in Step 6 then set the RF source to this value at a frequency of 100 MHz.
14. Adjust R8 until the 4304A meter indicates 40.0.
15. Adjust the RF source until the 4304A meter indicates 40.0 at a frequency of 405MHz then record the actual power level at the RF source. This information will be used in a later step.
16. Set the 4304A range switch to 150.
17. Divide 1562.5 by the average value calculated in Step 6 then set the RF source to this value at a frequency of 100 MHz.
18. Adjust Rxxxx (?) until the 4304A meter indicates 125.
19. Set the 4304A range switch to 500.

20. Multiply by 10 the actual RF source power recorded in Step 15 (the reading at "40" taken at 405 MHz). Set the RF source to this calculated value and the frequency to 405 MHz.
21. Adjust R6 until the 4304A meter indicates 400.

**Figure 11 Range Adjustment Potentiometers**



## Storage

---

When storing the Bird 4304A, turn the element so that the arrow points down and set the range switch to 5 W. This will shunt the meter circuit and protect the meter by dampening needle action.

## Customer Service

---

Any maintenance or service procedure beyond the scope of those in this chapter should be referred to a qualified service center.

If the unit needs to be returned for any reason, request an RMA through the Bird Technologies website. All instruments returned must be shipped prepaid and to the attention of the RMA number.

### **Bird Service Center**

30303 Aurora Road  
Cleveland (Solon), Ohio 44139-2794  
Fax: (440) 248-5426  
E-mail: [bsc@bird-technologies.com](mailto:bsc@bird-technologies.com)

For the location of the Sales Office nearest you, visit our Web site at:

<http://www.bird-technologies.com>

**EPCOM syscom** – 1630 Paisano Dr. – El Paso. Tx 79901.

Ph (915) 533 - 5119

[www.epcom.net](http://www.epcom.net)

## Specifications

<b>Frequency Range</b>	25 – 1000 MHz
<b>Power Rating</b>	500 W, 25 – 800 MHz 150 W, 800 – 1000 MHz
<b>Power Range Settings</b>	5/15/50/150/500 W
<b>Insertion VSWR (Max.)</b> UHF Connector  N Connector	1.08, 25 – 512 MHz 1.12, 512 – 1000 MHz 1.05, 25 – 512 MHz 1.07, 512 – 1000 MHz
<b>Insertion Loss (Max.)</b> UHF Connector  N Connector	0.1 dB, 25 – 512 MHz 0.15 dB, 512 – 1000 MHz 0.1 dB, 25 – 512 MHz 0.13 dB, 512 – 1000 MHz
<b>Accuracy</b> 25 – 100 MHz 100 – 512 MHz 512 – 1000 MHz	± 7% of full scale (with correction factor) ± 6% of full scale ± 7% of full scale
<b>Impedance, Nominal</b>	50Ω
<b>Connectors</b>	Bird “QC”, Female, N or UHF, normally supplied
<b>Operating Position</b>	Any
<b>Dimensions (Nominal)</b>	3-5/8”L x 4”W x 6-7/8”H (92 x 102 x 175 mm)
<b>Approximate Weight</b>	4 lb. (1.8 kg) with N-Connectors
<b>Finish</b>	Grey Powder Coat

## Replacement Parts

<b>Description</b>	<b>Qty.</b>	<b>Part Number</b>
Housing Assembly	1	4410-003
Cover Assembly	1	4304-069
Line Section Assembly	1	4304-067
Carrying Strap	1	8580A003
Microammeter	1	2120-015
Shock Mount	1	4220-087
Shock Ring	1	4410A261
Gasket	1	5-1066
Range Switch Knob	1	5-1852
Rubber Feet	4	5-1388

## Available “QC” Type Connectors

---

Connector	Part Number	Connector	Part Number
BNC-Female	4240-125	LT-Female	4240-018
BNC-Male	4240-132	LT-Male	4240-012
C-Female	4240-100	N-Female	4240-062
C-Male	4240-110	N-Male	4240-063
HN-Female	4240-268	SMA-Female	4240-336
HN-Male	4240-278	SMA-Male	4240-334
LC-Female	4240-031	7/16 Jack, IEC Type 169-4	4240-344
LC-Male	4240-025	7/16 Plug, IEC Type 169-4	4240-363
UHF-Female	4240-050	TNC-Female	4240-156
UHF-Male	4240-179	TNC-Male	4240-160
Mini UHF-Female	4240-346	1-5/8” EIA Swivel	4240-208
SC-Female	4240-090	1-5/8” EIA Fixed	4240-096
Open Term. # 10-32 Nut	4240-080	7/8” EIA	4240-002

## LIMITED WARRANTY

All products manufactured by Seller are warranted to be free from defects in material and workmanship for a period of one (1) year, unless otherwise specified, from date of shipment and to conform to applicable specifications, drawings, blueprints and/or samples. Seller's sole obligation under these warranties shall be to issue credit, repair or replace any item or part thereof which is proved to be other than as warranted; no allowance shall be made for any labor charges of Buyer for replacement of parts, adjustment or repairs, or any other work, unless such charges are authorized in advance by Seller.

If Seller's products are claimed to be defective in material or workmanship or not to conform to specifications, drawings, blueprints and/or samples, Seller shall, upon prompt notice thereof, either examine the products where they are located or issue shipping instructions for return to Seller (transportation-charges prepaid by Buyer). In the event any of our products are proved to be other than as warranted, transportation costs (cheapest way) to and from Seller's plant, will be borne by Seller and reimbursement or credit will be made for amounts so expended by Buyer. Every such claim for breach of these warranties shall be deemed to be waived by Buyer unless made in writing within ten (10) days from the date of discovery of the defect.

The above warranties shall not extend to any products or parts thereof which have been subjected to any misuse or neglect, damaged by accident, rendered defective by reason of improper installation or by the performance of repairs or alterations outside of our plant, and shall not apply to any goods or parts thereof furnished by Buyer or acquired from others at Buyer's request and/or to Buyer's specifications. Routine (regularly required) calibration is not covered under this limited warranty. In addition, Seller's warranties do not extend to the failure of tubes, transistors, fuses and batteries, or to other equipment and parts manufactured by others except to the extent of the original manufacturer's warranty to Seller.

The obligations under the foregoing warranties are limited to the precise terms thereof. These warranties provide exclusive remedies, expressly in lieu of all other remedies including claims for special or consequential damages. SELLER NEITHER MAKES NOR ASSUMES ANY OTHER WARRANTY WHATSOEVER, WHETHER EXPRESS, STATUTORY, OR IMPLIED, INCLUDING WARRANTIES OF MERCHANTABILITY AND FITNESS, AND NO PERSON IS AUTHORIZED TO ASSUME FOR SELLER ANY OBLIGATION OR LIABILITY NOT STRICTLY IN ACCORDANCE WITH THE FOREGOING.