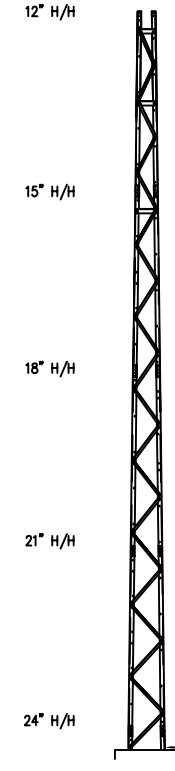


40FT S100 SUPERTITAN TOWER



U S A		MAXIMUM ALLOWABLE ANTENNA AREA - PER TIA/EIA 222 REV. F					
		WIND VELOCITY RATINGS					
		NO ICE (ROUND/FLAT)			1/2" ICE (ROUND/FLAT)		
TOP SECTION #1	70 mph	90 mph	100 mph	70 mph	90 mph	100 mph	
	40/28	15/10	8/5	29/20	10/7	5/3	

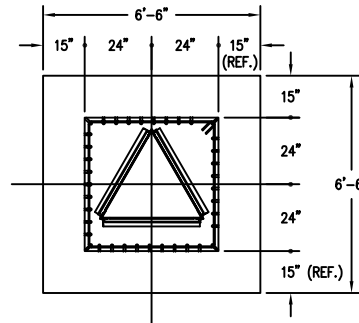
FOUNDATION LOADS:
 MAX. OVERTURNING MOMENT (K*FT) =
 MAX. SHEAR (kips) =
 MAX. AXIAL (kips) =

U S A		MAXIMUM ALLOWABLE ANTENNA AREA - PER TIA/EIA 222 REV. G, CLASS 1 (NO ICE)					
		WIND VELOCITY RATINGS					
		90 mph 3sg	110mph 3sg	120 mph 3sg	3sg = 3 SECOND GUST WINDSPEED		
SECTION #2	75 mph FM	90 mph FM	100 mph FM	FM = FASTEST MILE WINDSPEED			
	ROUND	FLAT	ROUND	FLAT	ROUND	FLAT	
	-	-	-	-	-	-	

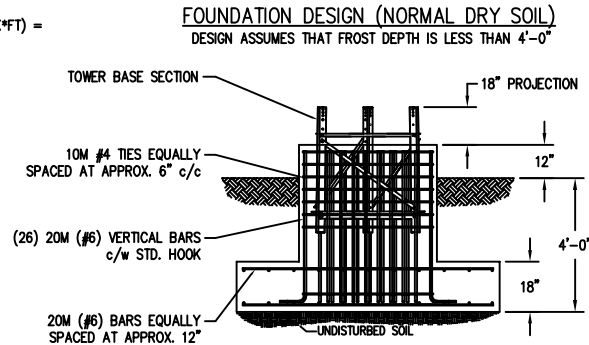
FOUNDATION LOADS:
 MAX. OVERTURNING MOMENT (K*FT) =
 MAX. SHEAR (kips) =
 MAX. AXIAL (kips) =

SECTION #3

SECTION #4



CUBIC YARDS OF CONCRETE		
PAD CONC VOL.	PIER CONC VOL.	TOTAL VOL.
2.4	2.1	4.5



REV.	BY:	BY:	DESCRIPTION	DATE
	REV.	CHK.		
REFERENCE DRAWINGS:				
DRAWING NUMBER		DRAWING NUMBER		
DRAWING NO.		000001.620.0156		
CUSTOMER:	SITE:	SCALE: 65		
DATE: 02 FEB 07	BY:	CHK:	APP:	
TITLE: 40FT S100 SUPERTITAN PROFILE				

NOTES: 1) KNOCK-DOWN PART NUMBER 5.94.0100.040.
 2) PRE-ASSEMBLED PART NUMBER: 5.95.0100.040.
 3) ANTENNA LOADS ARE CENTRALLY LOCATED AND BALANCED, 3-FT OR LESS ABOVE THE TOWER TOP.
 4) WIND LOADING ASSUMES (1) 1/2" TRANSMISSION LINE PER 10 SQ.FT. OF ROUND MEMBER ANTENNA AREA.

