

CA20S-Camera

Streamax

Picture



Features

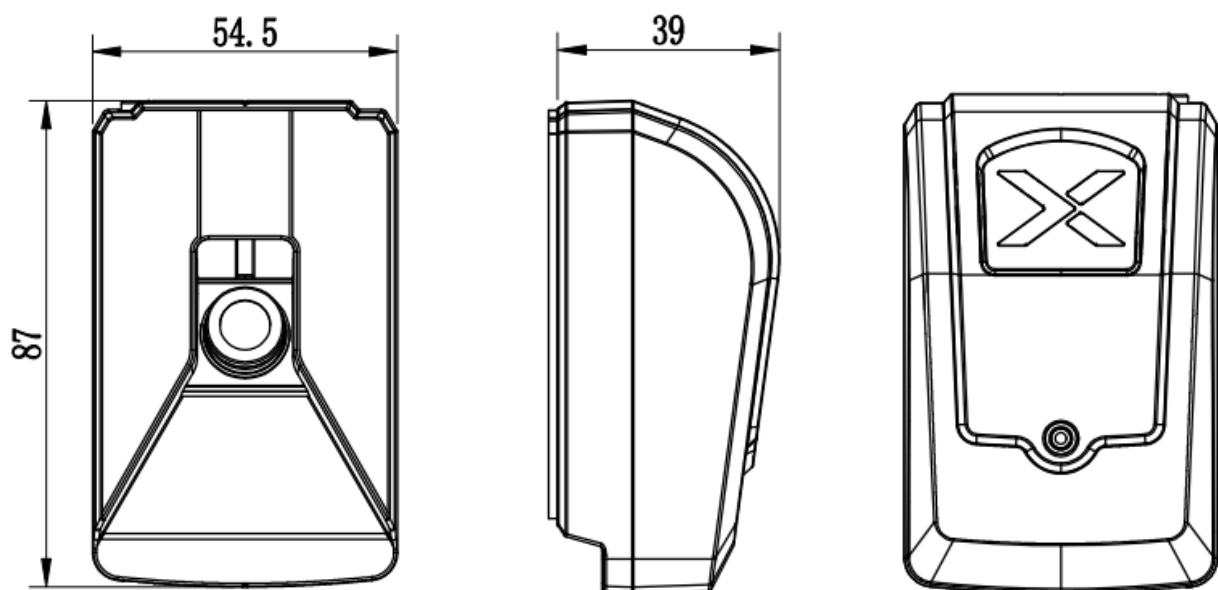
- 1/2.8" 2.13M pixel CMOS
- Resolution: 1920H*1080V
- Minimum illumination: 0.05lux (color)
- Auto electronic shutter, auto exposure and auto white balance
- Support stepless angle adjustment
- Apply 3M adhesive to install the camera on the front windshield. Neither reflection nor ghost
- Compact and aesthetic design makes ADAS camera installation easy and convenient
- 0.5m special aviation cable of Streamax, DC12V and black casing

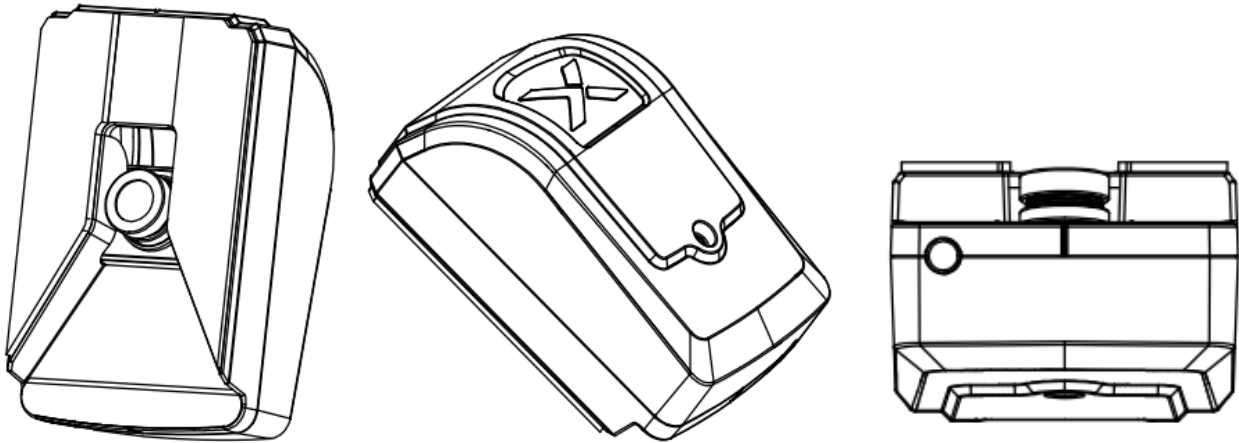
Specifications

Model	SVT-A6320MS
Image sensor	1/2.8 " 2.13M pixel CMOS
Resolution	1920H*1080V
Video signal standards	NTSC/PAL
Minimum illumination	0.05lux (color)
Electronic shutter	1/25s-1/25,000s (auto)
Synchronization system	Internal synchronization
Scanning system	Progressive scan
S/N	≥ 50dB

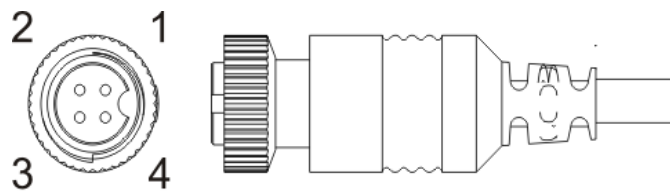
Lens	8mm M12@F2.1lens; HFOV: 42° VFOV: 24°
White balance	Auto tracking of white balance
Day to night	Full color mode (no IR)
Auto gain	Support
Backlight compensation	Support
3D noise reduction	Support
Gamma correction	0.45
WDR	50DB
Video output	AHD coaxial HD standard, 4Pin aviation cable
Power supply	DC12V± 10%
Power consumption (max)	90mA/DC12V ± 5%
Operating temperature	-40°C ~ 70°C
Operating humidity	<90% (no condensation)
Dimensions	87mm*54.5mm*39mm (L*W*H)
Net weight	About 100g

Dimensions





Video output cable interface



Aviation RS765-4(Female)

- | | |
|---------------|-----------|
| 1---12V DC(+) | 3---AUDIO |
| 2---GND | 4---VIDEO |