



MERIVA[®]
TECHNOLOGY



MERIVA[®]
TECHNOLOGY

Streamax

Streamax

Single Dock

MSTATION

Specification (Version 1.0)



Catalog

Modification Record	1
Preface	3
<i>Symbol Explanation</i>	<i>4</i>
<i>Abbreviation Explanation</i>	<i>4</i>
Product Features	5
Specification	5
Product Appearance and Component Names	6
Dimension Diagram	7

Preface

- **About the Specification**

The Specifications provide details on the components and parameters of the vigilant single dock 2.0 product. All content, including text, images, and graphics, is owned by Shenzhen Streamax Technology Co., Ltd. No part of this document may be reproduced, extracted, or modified without prior written consent from the company. The Specifications are provided without any warranties unless otherwise stated.

This document is intended for authorized users and technical support personnel. The product images and screen content are for reference only, and the actual product (including appearance, color, size) may vary. Please refer to the physical product for accurate details.

The data in this document are theoretical values based on testing in Streamax Technology's internal lab. Actual performance may vary due to factors like product differences, software versions, usage conditions, and environment.

Streamax may update or adjust the Specifications from time to time to reflect changes in the product's performance, features, or components, without prior notice.

- **Trademark Notice**

Streamax is a registered trademark of Shenzhen Streamax Technology Co., Ltd. All other trademarks are the property of their respective owners.

- **Responsibility Disclaimer**

The products described in this document are provided "as is" with no warranties, express or implied, including but not limited to merchantability or fitness for a particular purpose. Streamax is not liable for any damages, including loss of profits, data, or documentation, resulting from the use of the product or Specifications.

Streamax is not responsible for security risks such as cyber-attacks, hacking, or virus infections when the product is connected to the internet. However, we will provide technical support as needed.




You agree to comply with all applicable laws when using this product. Streamax is not liable for any misuse of the product or any violation of third-party rights.

In case of conflict between the Specifications and applicable laws, the laws will take precedence.

Copyright © 2025 Shenzhen Streamax Technology Co., Ltd. All rights reserved.

Symbol Explanation

The following symbols are used to categorize and explain potential hazards that may arise from improper operation

Symbol	Explanation
	Warning: Conditions that could jeopardize the safety of the user or cause injury
	Important: Conditions that may lead to data corruption or damage to the device's firmware or hardware
	Note: Additional information, explanations of terms, and other relevant details

Abbreviation Explanation

Acronym	Full Name
BWC	Body Worn Camera

Product Features

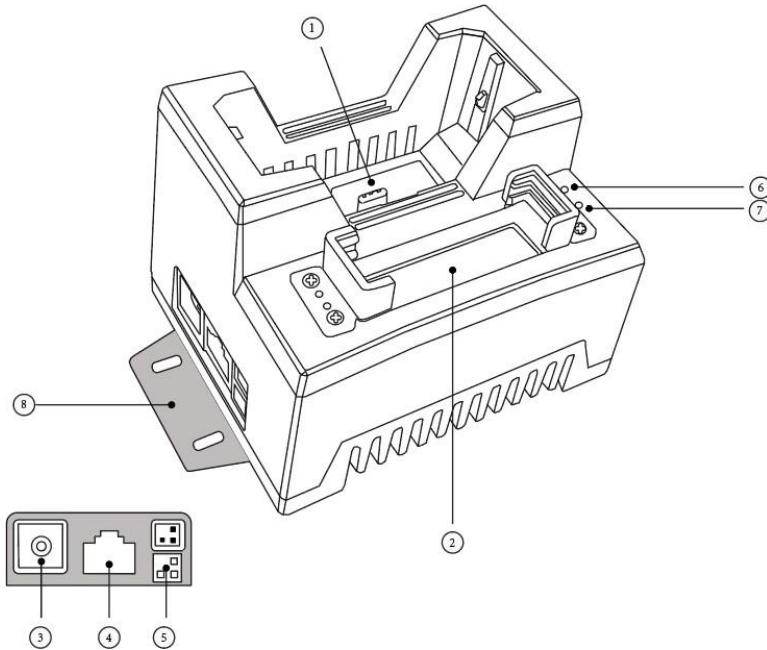
- Support Vigilant Eye V2.0 charging and data upload
- Supports independent charging of backup batteries
- Supports multiple installation methods
- Comply with vehicle grade standards
- LED status indicator allows you to visually check the device status

Specification

Product name		
Product Name	MSTATION	
Function		
Power input	12V DC / PON	
Power supply voltage adaptability	9-36V	
BWC charging port power output	9V	
BWC charging port maximum power consumption	11W	
Spare battery charging port power output	4.2V 0.85A	
Spare battery charging port maximum power consumption	3.57W	
Data transmission	100M	
LED Status		
Indicator Light	Off	On / Flashing
BWC Charging Indicator	No power supply	<ul style="list-style-type: none"> ● Power supply normal ● BWC inserted ● Serial Port Debugging
Battery Charging Indicator	No power supply	<ul style="list-style-type: none"> ● Power supply normal ● Battery charging ● Battery full charged
Physical parameters		
Product Size	99 * 80 * 70mm	
Product weight	335.5g	
Environmental adaptability		
Operating temperature	-40°C-70°C	

	Battery charging temperature 0-50°C
Working humidity	95% non-condensing
vibration	Complies with MIL-STD-810G standards

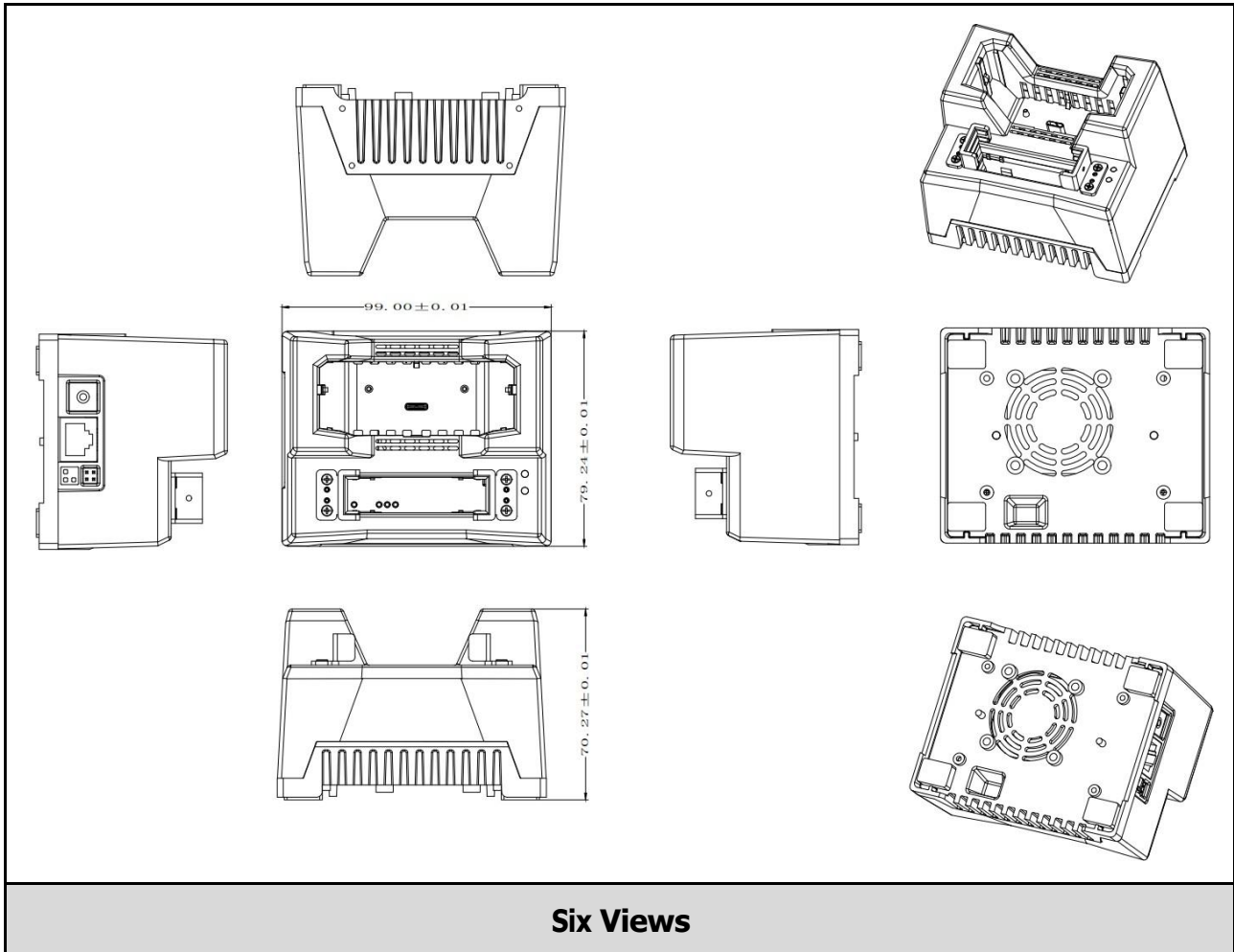
Product Appearance and Component Names



No.	Components	No.	Components
1	BWC Charging Port	2	Battery Charging Port
3	DC Power Port	4	Ethernet Port
5	Printer Serial Port	6	BWC Charging Indicator
7	Battery Charging Indicator	8	Bracket

Dimension Diagram

(Unit: mm)



Six Views

Special Instructions

- Support PON charging, but not support POE charging.