

# XVR-G3 Series



## Key Features

- Support H.265/H.264 video formats
- Support audio over coaxial cable(only for TVI cameras)
- Support TVI, AHD, CVI, CVBS, IP cameras with adaptive access
- 4/8-channel BNC input
- Support 1-ch HDMI output, 1-ch VGA output at up to 1920\*1080
- Long transmission distance over coaxial cable
- Supports mainstream cameras of ONVIF and RTSP protocols

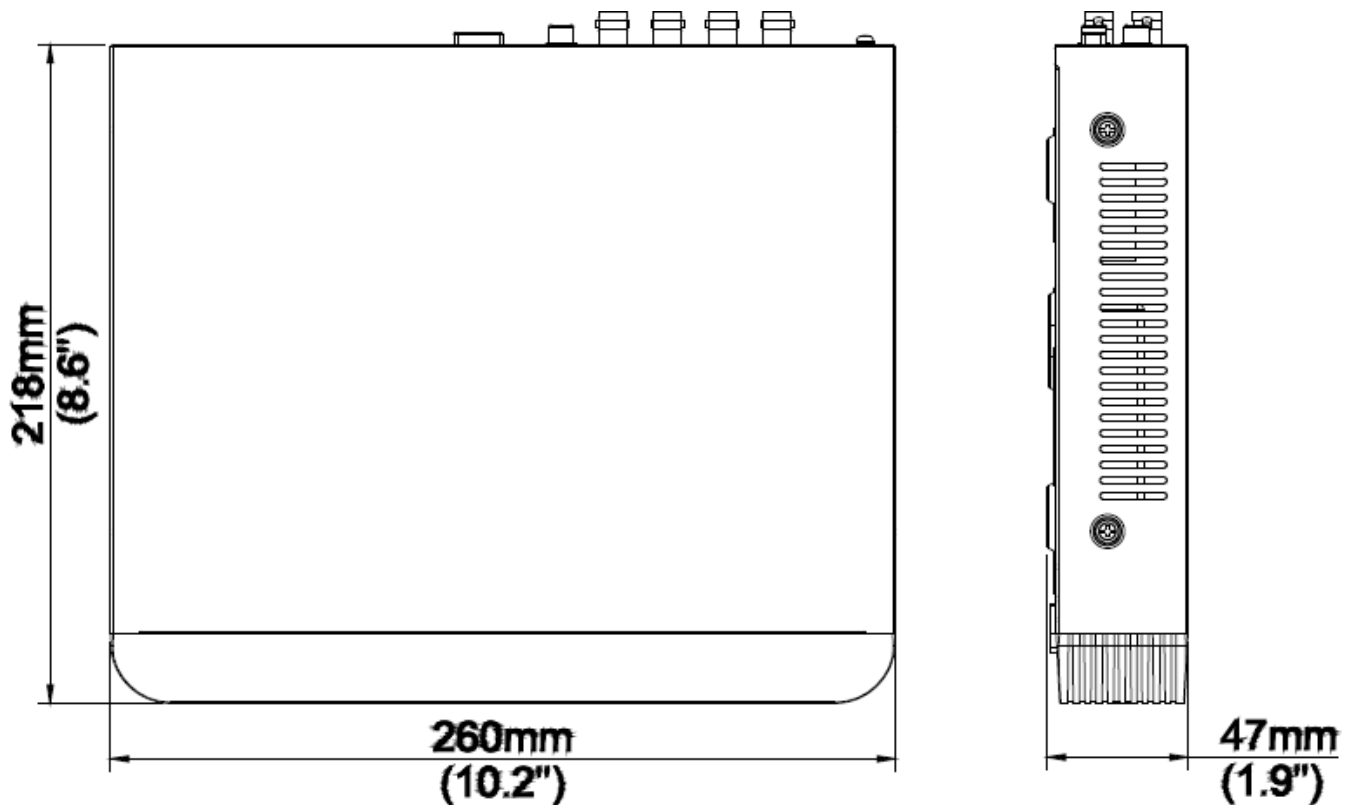
## Specifications

Model	XVR-104G3	XVR-108G3
Video/Audio Input		
Analog Video Input	4-ch, BNC	8-ch, BNC
IP Video Input	2-ch(only IP up to 6ch), each channel up to 4MP	4-ch( only IP up to 8ch), each channel up to 4MP
Supported Analog Camera Types	<b>Support AHD input:</b> 5MP@20fps 4MP@30fps 1080P@30fps 720P@60fps <b>Support TVI input:</b> 5MP@20fps 4MP@30fps 1080P@30fps 720P@60fps <b>Support CVI input:</b> 5MP@20fps 4MP@30fps 1080P@30fps 720P@30fps <b>Support CVBS input</b>	<b>Support AHD input:</b> 5MP@12fps 4MP@15fps 1080P@30fps 720P@30fps <b>Support TVI input:</b> 5MP@12fps 4MP@15fps 1080P@30fps 720P@30fps <b>Support CVI input:</b> 1080P@30fps 720P@30fps <b>Support CVBS input</b>

Audio Input	1-ch, RCA			
Audio Compression	G.711U			
<b>Network</b>				
Incoming Bandwidth	16Mbps (Up to 24Mbps after all analog channel conversion)		32Mbps (Up to 40Mbps after all analog channel conversion)	
Outgoing Bandwidth	48Mbps		64Mbps	
Remote Users	128			
Protocols	TCP/IP, P2P, UPnP, DHCP, HTTP, HTTPS, DNS, DDNS, SMTP			
Browser	IE10/11 for Windows			
<b>Video/Audio Output</b>				
VGA Output	1920x1080/60Hz, 1920x1080/50Hz, 1600x1200/60Hz, 1280x1024/60Hz, 1280x720/60Hz, 1024x768/60Hz			
HDMI Output	1920x1080/60Hz, 1920x1080/50Hz, 1600x1200/60Hz, 1280x1024/60Hz, 1280x720/60Hz, 1024x768/60Hz			
Audio Output	1-ch, RCA			
Synchronous Playback	HD:2-ch SD:4-ch		HD:4-ch SD:8-ch	
Live view display	HDMI/VGA: 1/4/6/8/9		HDMI/VGA: 1/4/6/8/9/10/16	
Two-way Audio	1-ch, RCA		1-ch, RCA	
<b>Encoding</b>				
Recording Resolution	5MP Lite/4MP Lite/1080P/720P/CIF		5MP Lite/4MP Lite /1080P/1080P Lite/720P/CIF	
Recording Frame Rate	<b>Main stream:</b>	<b>Sub stream:</b>	<b>Main stream:</b>	<b>Sub stream:</b>
	5MP Lite@12fps	D1@12fps	5MP Lite@6fps	D1@6fps
	4MP Lite@15fps	D1@15fps	4MP Lite@8fps	D1@8fps
	1080P@15fps	D1@15fps	1080P Lite@12fps	D1@12fps
	720P@25fps	D1@25fps	720P@12fps	D1@12fps
Audio Sample Rate	8KHz,16 bit per channel			
Audio Bit Rate	64Kbps per channel			
<b>Decoding</b>				
Capability	Analog: 2 x 5MP Lite@12, 2 x 4MP Lite@15, 2 x 1080P@15 IP: 1 x 4MP@30, 2 x 1080P@30		Analog: 4 x 5MP Lite@6, 4 x 4MP Lite@8, 4 x 1080P Lite @12fps IP: 1 x 4MP@30, 2 x 1080P@30	
<b>Hard Disk</b>				
SATA	1 SATA interface			
Capacity	Up to 8TB for each HDD (The maximum HDD capacity varies with environment temperature)			
<b>General Alarm</b>				
General Alarm	By analog camera: Motion detection By IP Camera: Motion detection			
Alert Alarm	IP Conflict, Network Disconnected, Disk offline, Disk Abnormal, Illegal Access			
<b>External Interface</b>				
Network Interface	1RJ45 10M/100M self-adaptive Ethernet Interface			

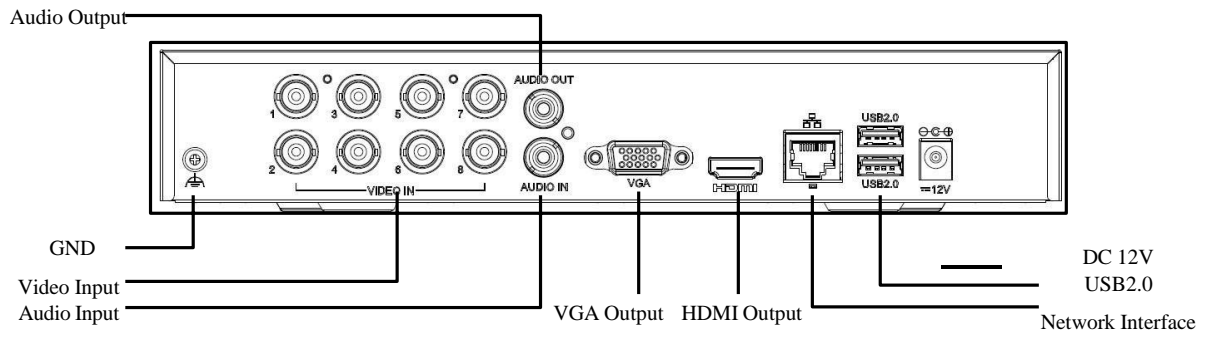
USB Interface	Rear panel:2 x USB2.0
<b>General</b>	
Power Supply	12V DC Power Consumption: ≤ 8 W( without HDD )
Working Environment	-10°C ~ + 55°C ( +14°F ~ +131°F ), Humidity ≤ 90% RH(non-condensing)
Dimensions(W×D×H)	260mm × 218mm × 47mm (10.2" × 8.6" × 1.9")
Weight ( without HDD )	≤1.1 Kg ( 2.42lb )
<b>Certification</b>	
Certification	CE/FCC/WEEE

## Dimensions



## Rear Panel

Take XVR-108G3 for example



[www.uniview.com/uniarch](http://www.uniview.com/uniarch)

©2022 Zhejiang Uniview Technologies Co., Ltd. All rights reserved.

\*Product specifications and availability are subject to change without notice.

# 2MP LightHunter HD IR Fixed Mini Bullet Analog Camera

## UAC-B122-AF28(40)LM



### Introduction

UAC-B122-AF28(40)LM is a 2MP LightHunter HD IR fixed mini bullet analog camera with a high-performance 1/2.9-inch CMOS sensor and 3D noise reduction technology. It supports TVI/AHD/CVI/CVBS, which effectively enhances product adaptability and diversity of networking solutions. With SYV-75-3 or other coaxial cable types, the camera can achieve low-cost, long-distance, and anti-interference mega-pixel HD video transmission without time delay. It supports IR-cut filter with auto-switch (ICR) and provides color images at daytime and black/white images at night. The camera also supports audio input and synchronous transmission of audio and video.

### Features

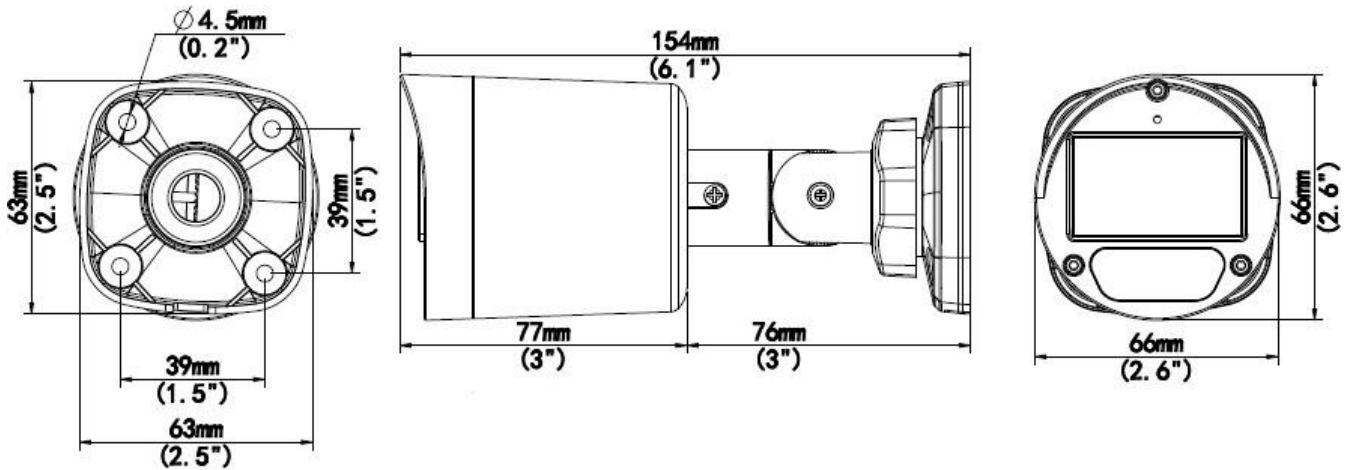
- High quality imaging with 2MP resolution
- TVI/AHD/CVI/CVBS
- Supports IR-cut filter with auto-switch (ICR)
- LightHunter monitoring with high-sensitivity sensor
- 3D noise reduction technology delivers clean and sharp images
- Supports 180° horizontal flip, 180° vertical flip
- OSD configuration menu, easy to operate
- IP67 waterproof and dustproof design, high reliability
- OSD configuration menu in 11 languages
- Built-in microphone for high quality audio transmission via coaxial cables
- Supports digital defog

# Specifications

Model	UAC-B122-AF28LM	UAC-B122-AF40LM
<b>Sensor</b>		
Pixel	2MP	
Size	1/2.9"	
Minimum illumination	0.005 lux (F1.6, AGC ON) lux (IR ON)	
<b>Lens</b>		
Lens	2.8mm	4.0mm
Lens mount	M12	
Angle of view	H: 101.5° V: 56.9° D: 117.4°	H: 83.8° V: 42.7° D: 100.1°
<b>Illuminator</b>		
Illuminator	Two IR illuminators	
Illumination distance	40m	
Lifetime	≥60,000 hours	
<b>Video</b>		
Resolution	1080P: 1920(H)×1080(V) 720P: 1280(H) ×720(V)	
Frame rate	TVI/AHD/CVI: 1080P@25fps (default), 1080P@30fps; 720P@25fps, 720P@30fps CVBS: PAL, NTSC	
Shutter time	PAL: 1/25s-1/50000s NTSC: 1/30s-1/50000s	
<b>Image</b>		
Exposure mode	Four modes: Global (default), BLC, HLC, DWDR	
Day/Night	Three modes: Auto (default), Day, Night	
Digital noise reduction	2D/3D	
White balance	Two modes: Auto (default), Manual	
WDR	DWDR	
Smart IR	Support	
Flip	Supports 180° horizontal flip, 180° vertical flip	
Defog	Digital Defog	
<b>Audio</b>		
Microphone	Built-in Mic	
Camera audio	TVI: 1080P@25fps, 1080P@30fps CVI: 1080P@25fps, 1080P@30fps	
<b>Interface</b>		
Power	5.5mm power interface	
Video output	BNC, supports TVI/AHD/CVI/CVBS	
<b>Operating environment</b>		
Temperature	-30°C to 60°C (-22°F to 140°F)	
Humidity	≤95% (RH, non-condensing)	
Surge protection	4kV	
Ingress protection	IP67	
<b>General</b>		

Power	DC 12V (±25%), with reverse polarity protection, Max 3.2W
Mount	3D bracket supplied, surface mount (default), optional backbox, pole mount bracket
Dimensions	154mm*66mm*66mm (L*W*H)
Material	Metal+Plastic
Weight	240g (0.53lb)
Certification	CE, FCC, UL

## Dimensions



UAC-B122-AF28(40)LM

## Accessories

TR-JB05-A-IN

Junction Box



TR-UP06-B-IN

Pole Mount



TR-UP06-C-IN

Pole Mount



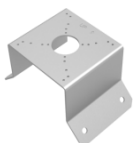
TR-A01-IN

Waterproof joint



TR-UC08-C

Corner mount



PWR-DC1201A-UK

Wall Plug-in UK Power Adapter



PWR-DC1201A-US

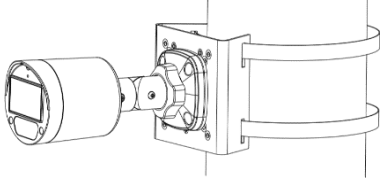
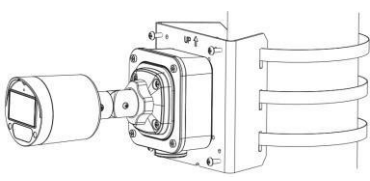
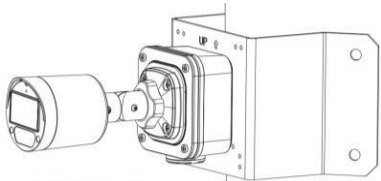
Wall Plug-in US Power Adapter



PWR-DC1201A-EU

Wall Plug-in EU Power Adapter



Mount	
TR-UP06-B-IN	TR-JB05-A-IN+TR-UP06-C-IN
	
TR-JB05-A-IN+TR-UC08-C	
	

**Zhejiang Uniview Technologies Co., Ltd.**

Building No. 369, Xietong Road, Xixing Sub-district, Binjiang District, Hangzhou City, Zhejiang Province, China (310051)

Email: [overseasbusiness@uniview.com](mailto:overseasbusiness@uniview.com); [globalsupport@uniview.com](mailto:globalsupport@uniview.com)

<https://www.uniview.com>

©2023 Zhejiang Uniview Technologies Co., Ltd. All rights reserved.

\*Product specifications and availability are subject to change without notice.






El accesorio para video vigilancia opcional para una instalación más limpia y profesional, estos accesorios son para la conexión de corriente y video de las cámaras HD. Este tipo de cableado facilita la interconexión de las cámaras con el DVR identificando perfectamente los conectores BNC y de Corriente.

El calibre 24 AWG, son ideales para aplicaciones de video HD para la interconexión de cámaras con los DVR.

- Cable siamés de alta calidad con núcleo de cobre macizo para tecnologías análogas, HD (AHD / CVI / TVI) y SDI.
- Cable pre-fabricado 100% cobre para una fácil instalación.
- El cable se puede acoplar hasta los 150M (BNC macho / macho y DC macho / hembra alimentación)
- Plug and Play listo para conectarse en HD 1080P / 720P en formato TVI, CVI, AHD. • Compatible con cámaras de cualquier tecnología y característica.
- Se recomienda su uso para evitar cortos en el cableado de la alimentación de los dispositivos de videovigilancia.
- Nos da la apariencia de una instalación limpia y profesional. • Conductores de alimentación de 2 hilos.
- Cable pre-ponchado para video y alimentación de 18mts.



Los conectores tipo pulpo nos permiten ampliar el numero de equipos que podemos energizar con una sola fuente de alimentación, lo cual nos amplia nuestras posibilidades de mejorar la distribución de nuestros sistemas de video vigilancia, acceso, alarmas, etc.

Modelo					
	ENS-DC12	ENS-DC14	ENS-DC15	ENS-DC16	ENS-DC18
Conector de Entrada	1x 5.5x2.1 mm Hembra platinado en Niquel				
Conectores de Salida	2x 5.5x2.1mm Macho platinado en Niquel	4x 5.5x2.1mm Macho platinado en Niquel	5x 5.5x2.1mm Macho platinado en Niquel	6x 5.5x2.1mm Macho platinado en Niquel	8x 5.5x2.1mm Macho platinado en Niquel
Conductor	Entrada: 22AWG 100% Cobre - Salida: 26AWG 100% Cobre				
Forro	PVC color Negro				

