

# M1N 2.0



## Products Introduction

M1N2.0 is a multifunctional in-vehicle intelligent terminal composed of storage module, encoding module, communication and power module, etc., with the integration of in-vehicle video monitoring, platform remote video monitoring, and driver driving behavior analysis.

It has a powerful video access and encoding capabilities, maximum support for 4Ch AHD and 2Ch IPC. Can simultaneously support 6Ch 1080P@30fps full HD real-time full frame encoding and recording capabilities, to ensure that the video quality frame rate is not lost.

The product has built-in rich wireless communication capability, supporting 4G/3G high-speed network, WIFI wireless network, and GPS/BDS/GALILEO/GLONASS multi-band quad-constellation global GNSS positioning system at the same time.

## Product Advantages

- Supports 4Ch AHD and 2Ch IPC;
- Full HD 6Ch 1080P@30fps real-time full-frame encoding in video-only case;
- Supports AHD HD video output;
- Optional support for digital SIM card technology (eSIM), more resistant to temperature and vibration; extended support for 4G main and hierarchical antennas.
- Supports GPS/BDS/GALILEO/GLONASS for more accurate positioning; external waterproof antenna with IP67 rating.
- External interface automotive-grade,

Products built-in powerful NPU processing capabilities, based on AI algorithms, can support 2Ch built-in AI, which can fully cover ADAS, DMS, BSD. effectively improve driver safety driving and reduce pedestrian-vehicle traffic accidents

At the same time, M1N2.0 has a strong anti-interference ability of the vehicle environment, the product meets the ISO16750, ISO7637 vehicle test standards, to meet the use of different vehicle types installed.

high-precision quick-release connectors support quick disengagement for easy installation and maintenance;

- High-speed processor and powerful neural network inference engine with built-in AI;
- Supports 2Ch Micro SD , up to 2\*512G; additional support for 1\*M.2 SSD storage, up to 1\*2TB
- The whole system adopts mechanical vibration reduction, electronic vibration prevention and software vibration prevention, a combination of three comprehensive vibration reduction technology;
- Rich peripheral interfaces;

## Product Specifications

Product Model	
M1N 2.0 -H0402	
Technical item	Technical indicators
Basic Parameters	
RAM	1GB
ROM	8GB
Operating system	Linux
3G/4G	TDD-LTE/FDD-LTE/EVDO/TD-SCDMA/WCDMA Extended support for main and diversity antennas
WIFI	WIFI5 support, 802.11b/g/n/ac compliant (optional)
Localization	Support GPS/BDS/GALILEO/GLONASS
Storage	Support 2*Micro SD card, Up to 2*512GB Support 1*M.2 SATA SSD, Up to 1*2TB.
Transducers	Supports 6-axis accelerometers
Interface Function	
Video input	4Ch AHD + 2Ch IPC (Maximum resolution support 1080P) Full HD real-time full frame encoding with the following encoding capabilities:
Codecs	PAL: 4*1080P@25fps (AHD) + 2*1080P@30fps (IPC) NTSC: 4*1080P@30fps (AHD) + 2*1080P@30fps (IPC)
Video output	1-channel AHD
Audio input	4Ch AHD + 2Ch IPC

Audio output	1Ch
USB	Front Type-A connector USB2.0
Micro SD	2 Micro SD ports
SSD	1*M.2 SATA SSD、 Supports heating
SIM Card	1*SIM physical card slot, optional support for digital SIM card eSIM
I/O	8* IN, 2*Out
Serial port	2*RS232, 1*RS485
IR	Support
AI	Supports built-in 2CH (ADAS, DMS, BSD)
CAN	2*CAN_FD
Speed	Support
Driver Inf. Interface	Support 1CH driver information identification interface, can be docked Ibutton

#### Power Supply

Power Input	DC 9~36V
Power Consumption	Host bare metal power consumption <10W, typical operating power consumption <40W

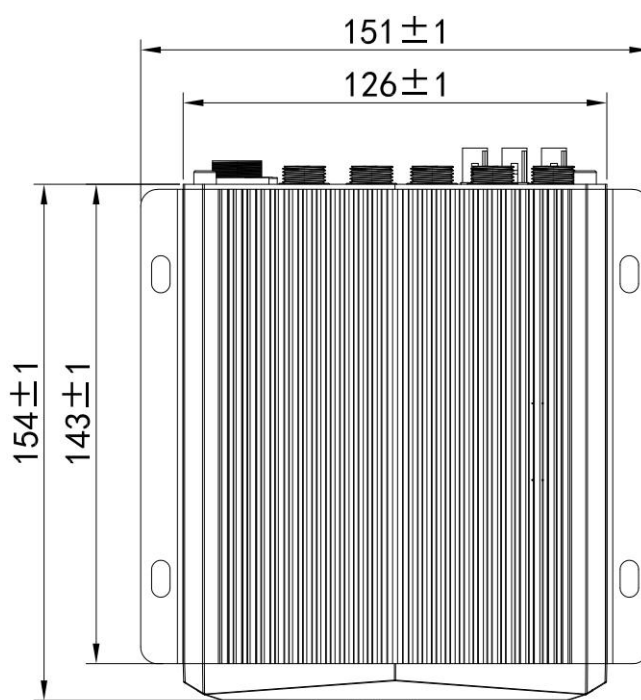
#### Physical Characteristics

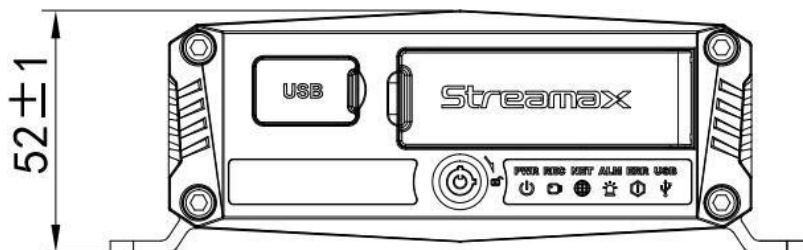
Dimensions	154*151*52mm
Weights	1.7Kg

#### Working Environment

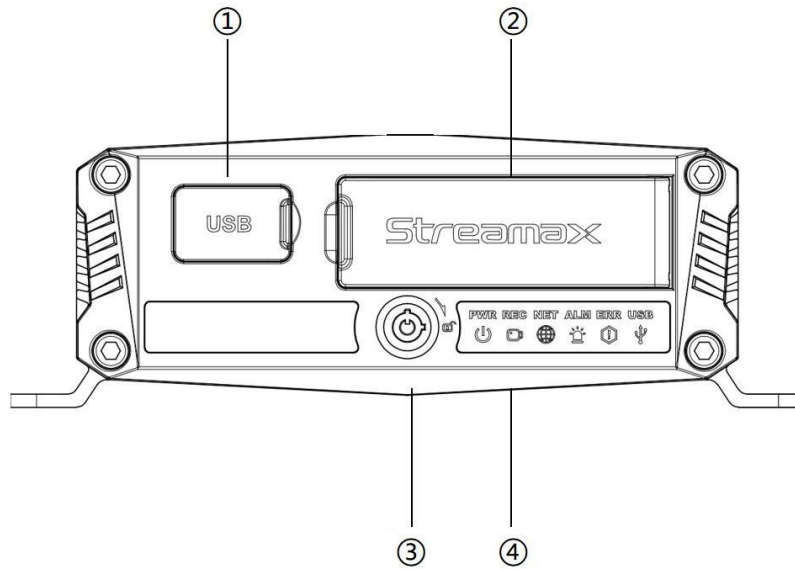
Operating temperature	-30°C~+70°C
Storage temperature	-40°C~+70°C

### Product Dimensions (mm)



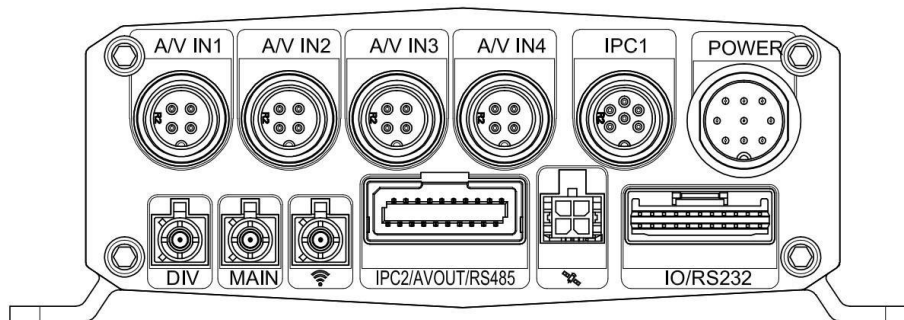


**Panel interface**



**Front Panel Interface**

- ① USB2.0 interface
- ② Storage interface: 2\*Micro SD+1\*M.2 SATA SSD  
Communication interface: 1\*SIM card slot
- ③ Hard disk lock
- ④ LED status indicator



**Rear Panel Interface**

- POWER Power Input Connector(Contains 1\*CAN1)
- IPC1 IPC1
- A/V IN1-4 AHD1~AHD4

IO/RS232

External IO/RS232 interface



GNSS positioning interface

IPC2/AVOUT/RS485

External IPC2/HD video output, RS485 interface



WIFI communication interface

MAIN

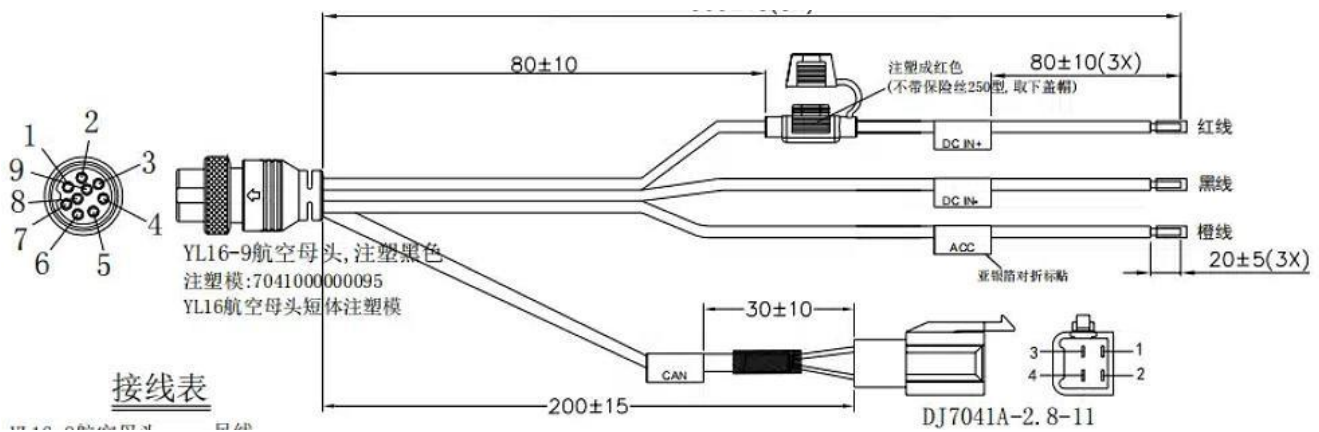
4G/3G Main Antenna

DIV

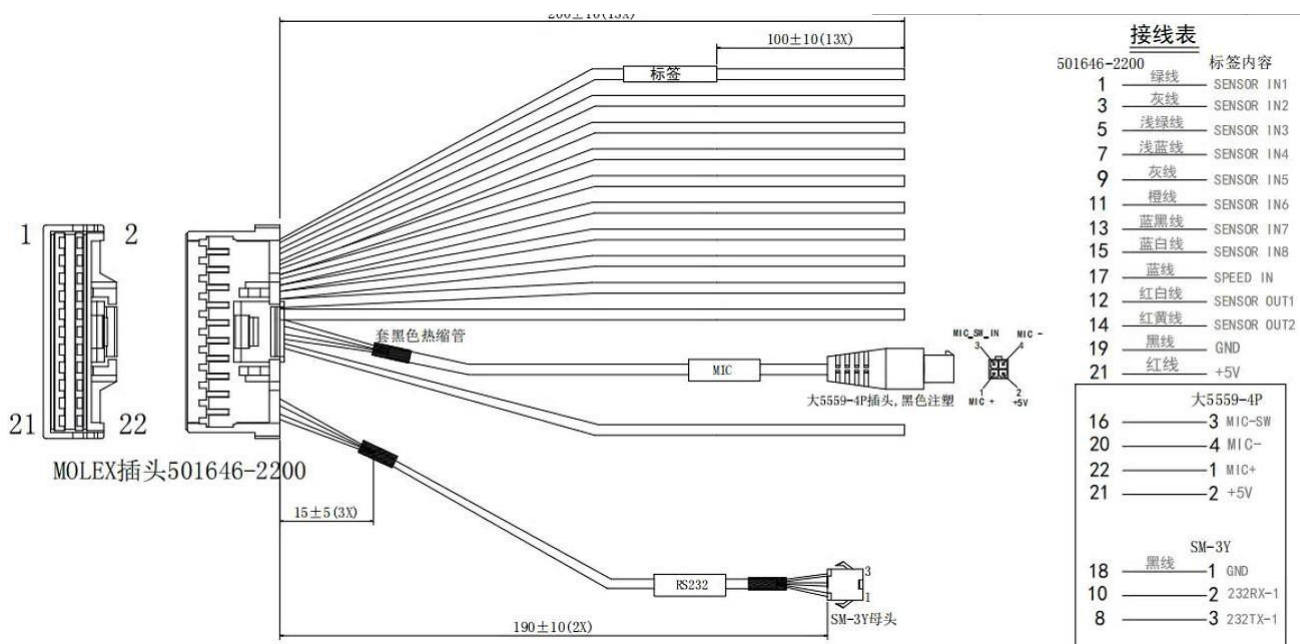
4G/3G Diversity antenna(Optional)

## Cable Definition

### POWER Interface Cable(standard)



### IO/RS232 interface cable (standard)



IPC2/AVOUT/RS485 interface cable(optional)

