

EPRO-JACK6A-BL

Modular jack, category 6A, RJ45, Keyconnect Style, Blue.

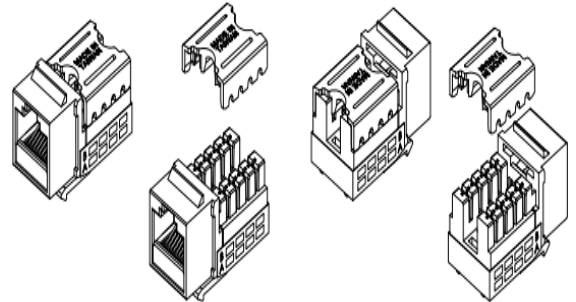
Performance:

Meets C6A EIA/TIA 568C Standard.

Materials:

Body : Fireproof ABS UL-94V0
Jack : 8P8C 50 micro inches gold plated
PCB : FR-4 / UL-94V0
IDC Cap : Fireproof ABS UL-94V0
IDC Body : Fireproof ABS UL-94V0
IDC Pin : Bronze & Tinned

IDC Description : For 22-26 AWG.
For 110 punch-down Tool



Electrical Specifications:

Insulation Resistance : 500M ohms (min.)
Contact Resistance : 20m ohms (max.)
Current Rating : 1.5 Amps .
DC Resistance : 0.1 ohms (max.)
Withstanding Voltage : 1000 VAC RMS @ 60Hz / 1 min.

Mechanical Specifications:

IDC Punch Down Cycle : Over 250 Cycles (min.)
Jack Insertion Cycle : Over 2000 Cycles (min.)

Operation Temperature : -40 °C ~ +70 °C

