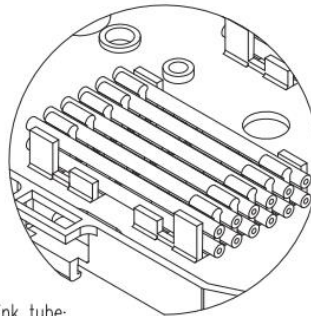
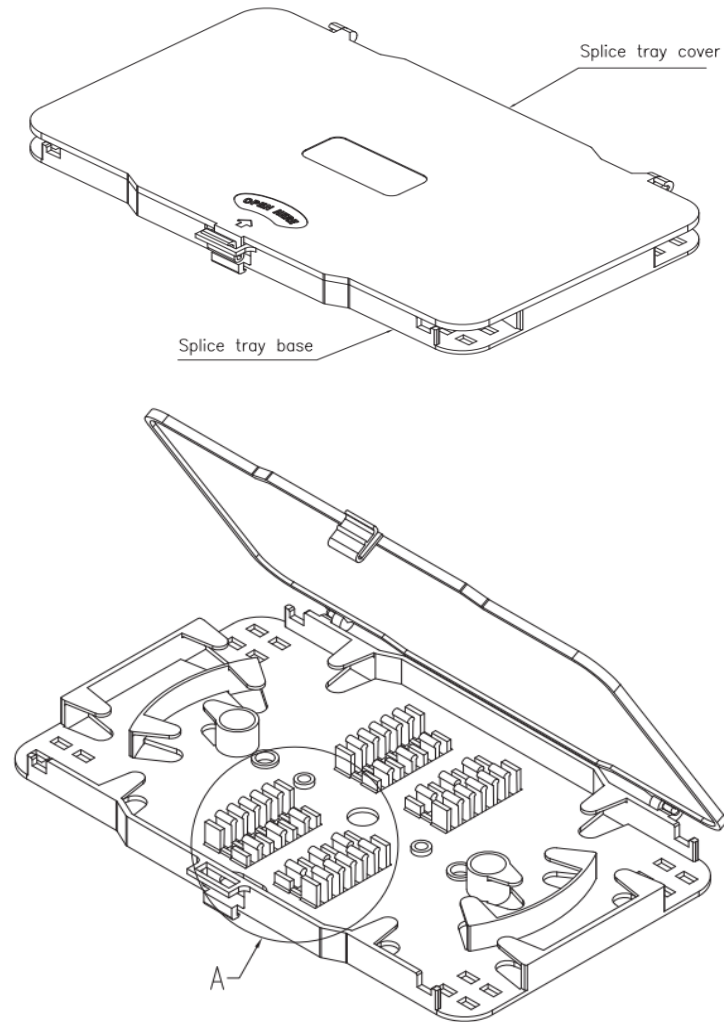


ENS-FOSPLICEBOX



Product description:

1. Product size (one splice tray): 167X110X12.7mm;
2. 24 cores per splice tray; Suggested use $\varnothing 2.5 \times 45$ mm Heat-shrink tube;
3. Material conform to ROHS requirements;

Heat-shrink tube install schematic

A