

4MP HD IR Fixed Dome Network Camera

IPC-D124-PF28K



Key Features



- High quality image with 4MP, 1/3" CMOS sensor
- 4MP (2560*1440)@20fps; 3MP (2304*1296) @20fps; 1080P (1920*1080)@30/25fps
- Ultra 265, H.265, H.264, MJPEG
- 2D/3D DNR (Digital Noise Reduction)
- ROI (Region of Interest)
- ONVIF Conformance
- Smart IR, up to 30m (98ft) IR distance
- Support 128 GB Micro SD card
- 2-Axis
- Wide temperature range: -30°C ~ 60°C (-22°F ~ 140°F)
- DC12V or PoE(IEEE 802.3af) power supply
- IP67

- IK10

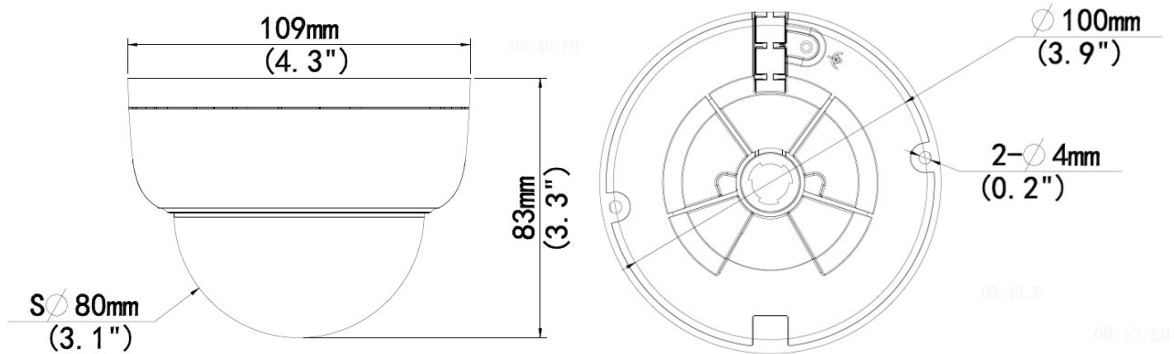
Specifications

IPC-D124-PF28K					
Camera					
Sensor	1/3", 4.0 megapixel, progressive scan, CMOS				
Minimum Illumination	Colour: 0.02Lux (F2.1, AGC ON) 0Lux with IR on				
Day/Night	IR-cut filter with auto switch (ICR)				
Shutter	Auto/Manual, 1 ~ 1/100000s				
Adjustment angle	Pan: 3° ~ 360°			Tilt: 0° ~ 75°	
WDR	DWDR				
S/N	>52dB				
Lens					
Lens Type	2.8mm@F2.1				
Iris	Fixed				
Angle of View (H)	97.0°				
Angle of View (V)	52.2°				
Angle of View (O)	107.5				
DORI					
DORI Distance	Lens (mm)	Detect (m)	Observe (m)	Recognize (m)	Identify (m)
	2.8	63.0	25.2	12.6	6.3
Illuminator					
IR Range	Up to 30m (98ft) IR range				
Wavelength	850nm				
IR On/Off Control	Auto/Manual				
Video					
Video Compression	Ultra 265, H.265, H.264, MJPEG				
H.264 code profile	Baseline profile, Main profile, High profile				
Frame Rate	Main Stream: 4MP (2560*1440), Max 20fps; 3MP (2304*1296), Max 20fps; 1080P (1920*1080), Max 30fps; 720P (1280*720), Max 30fps; Sub Stream: D1 (720*576), Max 30fps; 640*360, Max 30fps; 2CIF(704*288), Max 30fps; CIF(352*288), Max 30fps;				
Video Bit Rate	128 Kbps~6 Mbps				
U-code	Support				
OSD	Up to 4 OSDs				
Privacy Mask	Up to 4 areas				
ROI	Up to 8 areas				
Motion Detection	Up to 4 areas				
Video stream	Dual streams				
Image					
White Balance	Auto/Outdoor/Fine Tune/Sodium Lamp/Locked/Auto2				

Digital Noise Reduction	2D/3D DNR
Smart IR	Support
Flip	Normal/Vertical/Horizontal/180°
Dewarping	N/A
HLC	Support
BLC	Support
Defog	Digital Defog
Events	
Basic Detection	Motion detection, Tampering alarm
General Function	Watermark, IP address filtering, Access policy, ARP protection, RTSP authentication, User authentication, HTTP authentication
Storage	
Edge Storage	Micro SD, up to 128 GB
Network Storage	ANR
Network	
Protocols	IPv4, IGMP, ICMP, TCP, UDP, DHCP, RTP, RTSP, RTCP, DNS, DDNS, NTP, UPnP, HTTP, HTTPS, SSL, QoS, RTMP
Compatible Integration	ONVIF (Profile S, Profile T, Profile G), API
User/Host	Up to 32 users. 2 user levels: administrator and common user
Client	Uniarch Client Uniarch APP
Web Browser	Plug-in required live view: IE 10 and above, Chrome 45 and above, Firefox 52 and above, Edge 79 and above
	Plug-in free live view: Chrome 57.0 and above, Firefox 58.0 and above, Edge 16 and above
Interface	
Audio I/O	N/A
Alarm I/O	N/A
Built-in Mic	N/A
Built-in Speaker	N/A
WIFI	N/A
Network	1 * RJ45 10M/100M Base-TX Ethernet
Video Output	N/A
Certifications	
EMC	CE-EMC (EN 55032, EN 61000-3-3, EN IEC 61000-3-2, EN 55035) FCC (FCC 47 CFR part15 B)
Safety	CE LVD (EN 62368-1) CB (IEC 62368-1)
Environment	CE-RoHS (2011/65/EU; (EU)2015/863); WEEE (2012/19/EU)
Protection	IP67 (IEC 60529) IK10 (IEC 62262)
General	
Power	DC 12V±25%, PoE (IEEE 802.3af)
	Power consumption: Max 3.4W
Dimensions (Ø x H)	Ø109 x 83mm (Ø4.3" x 3.3")

Weight	0.34kg (0.75lb)
Working Environment	-30°C~60°C(-22°F ~ 140°F), Humidity: ≤95% RH (non-condensing)
Storage Environment	-30°C~60°C(-22°F ~ 140°F), Humidity: ≤95% RH (non-condensing)
Surge Protection	4KV
Reset Button	N/A

Dimensions



Accessories

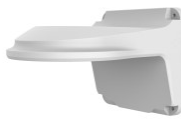
TR-JB03-G-IN
Junction Box



TR-JB07/WM03-G-IN
Wall Mount



TR-WM03-D-IN
Wall Mount



TR-UM06-E-IN
Incline Ceiling
Mount



TR-UP06-IN
Pole Mount



TR-A01-IN
Waterproof Joint



TR-SE24-IN
Pendant Mount

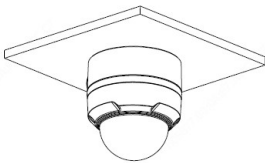
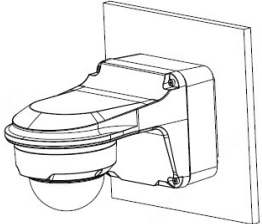
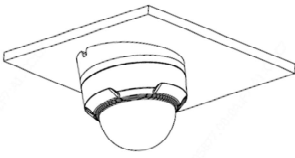
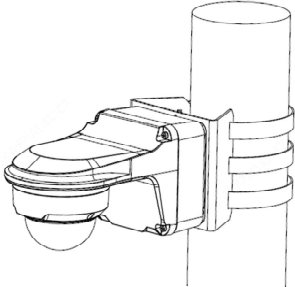
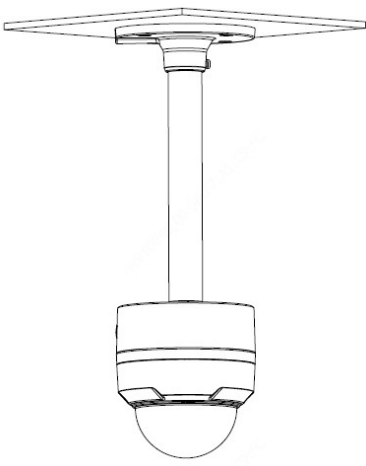


TR-SE24-A-IN
Pendant Mount



TR-CM24-IN
Pendant Mount



Junction Mount	Pole Mount
<p data-bbox="126 657 256 678">TR-JB03-G-IN</p> 	<p data-bbox="803 657 1003 678">TR-JB07/WM03-G-IN</p> 
<p data-bbox="126 993 267 1014">TR-UM06-E-IN</p> 	<p data-bbox="803 993 1128 1014">TR-JB07/WM03-G-IN+TR-UP06-IN</p> 
<p data-bbox="126 1365 386 1386">TR-CM24-IN+TR-JB03-G-IN</p> 	

www.uniview.com/uniarch

©2023 Zhejiang Uniview Technologies Co., Ltd. All rights reserved.

*Product specifications and availability are subject to change without notice.