



MERIVA[®]
TECHNOLOGY
Streamax

MCA51

Specification



Product Overview

MCA51 is a fisheye camera with a resolution of 1080P.

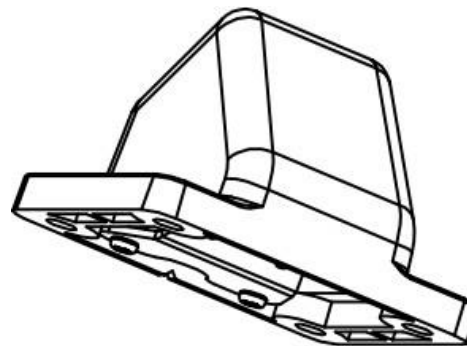
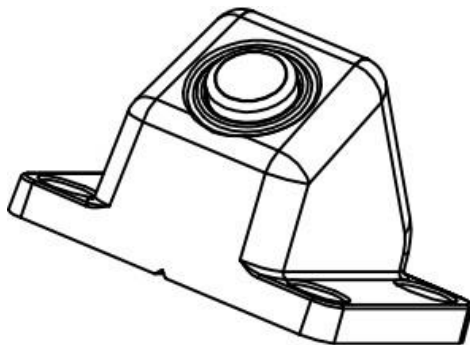
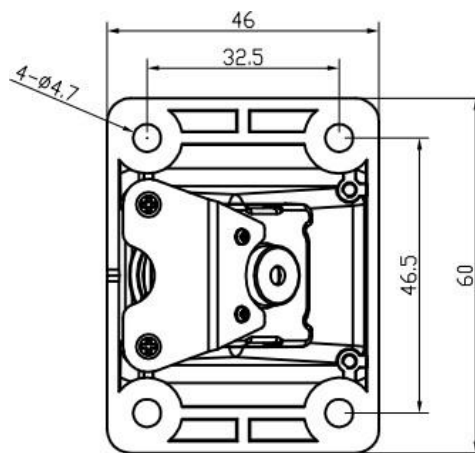
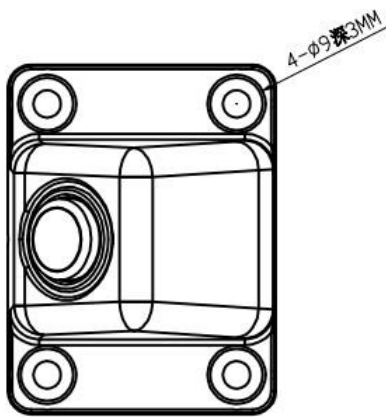
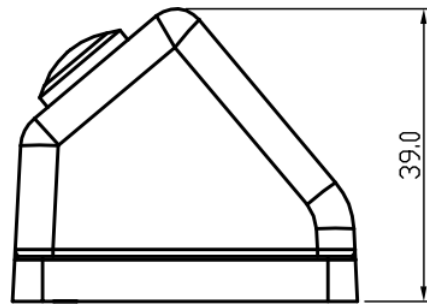
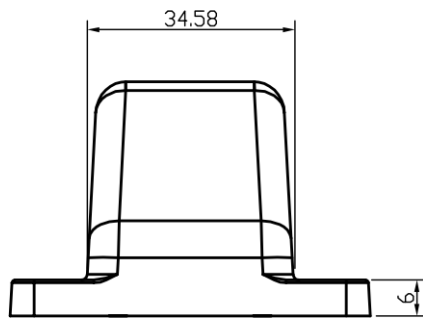
1. Product Features

- Built-in 1/2.8 " 2M pixel CMOS Sensor
- Resolution: 1920H*1080V
- Minimum Illumination: 0.01lux (No IR)
- Automatic electronic shutter, automatic exposure, automatic white balancing
- Support digital wide dynamic
- Support 1.8mm fisheye lens; 1.9mm wide angle lens
- Waterproof level: IP67
- Small structure; easy installation; compliance with the requirements of vehicle seismic design
- 0 degree and 10-degree rubber pad optional

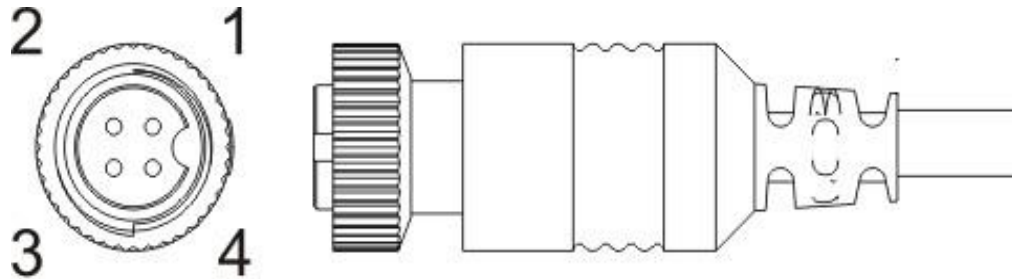
2. Specifications

Model	MCA51
Imaging Device	1/2.8 " 2M pixel CMOS
Resolution	1920H*1080V
Standard	PAL/ NTSC
Minimum Illumination	0.01lux (No IR)
Scanning System	Progressive scan
S/N Ratio	42dB
Electronic Shutter	1/25s ~1/25,000s (auto shutter)
Day/Night Mode	Colors (No IR)
White Balancing	Auto tracking of white balance
Auto Gain	Supported
3D Noise Reduction	Supported
Backlight Compensation	Supported
Digital Wide Dynamic Range (DWDR)	Supported
Lens	1.8mm M12@ F1.8, HFOV: 184° VFOV: 99°
Video Output	1.0Vp-p composite video output; 75 ohms; 4-pin circular connector
Power Voltage	DC 12V±10%
Power Consumption (Max.)	60mA/ DC12V±5%
Working Temperature	-40°C~70°C
Working Humidity	<95% (no condensation)
Waterproof Level	IP67
Dimensions	60mm(L) x 46mm(W) x 39mm(H)
Net Weight	82g

3. Dimensional Drawing (Unit: mm)



4. Interface Schematic Diagram



Aviation RS765-4(Female)

1---12V DC(+)

3---AUDIO

2---GND

4---VIDEO