



MERIVA[®]
TECHNOLOGY

Streamax



MCA42 Specification

Wireless HD IPC

I. Main Features:

Streamax 1080P HD on-board video telematics camera features easy installation and compact design, and is applicable to trucks, trailers, cranes, forklifts, harvesters, and other vehicles. There is no complicated wiring required if use with our HD waterproof wireless receiver box.

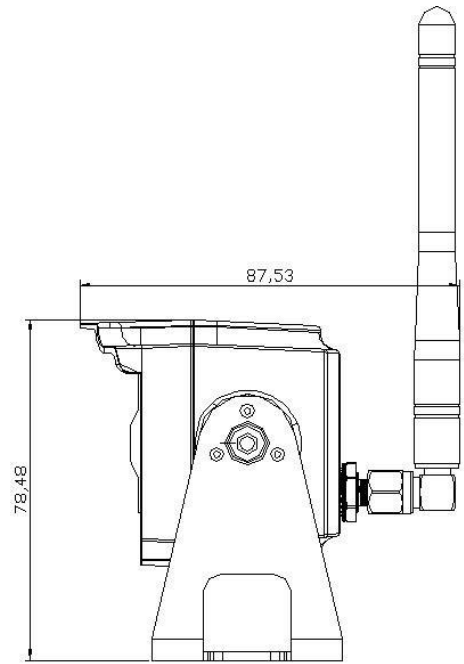
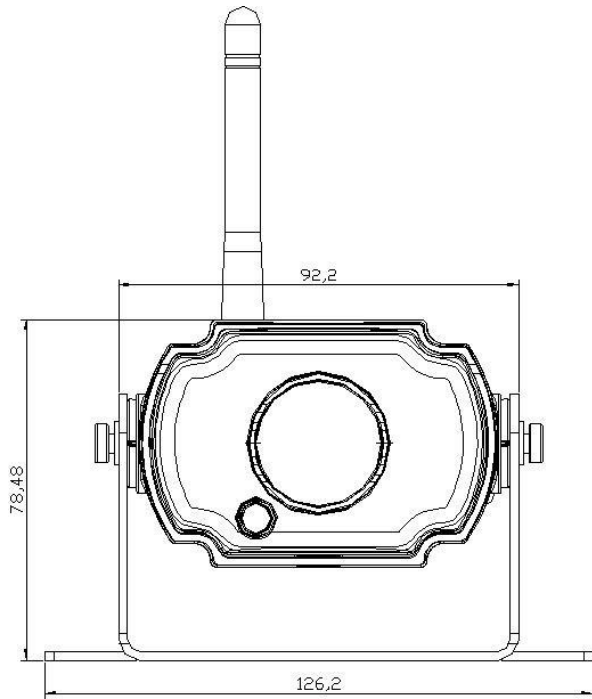
- On-board transmission range up to 120 meters or more (300 meters for open environment)
- Support PAL / NTSC Standard
- Featured with strong night view
- With wireless automatic frequency hopping function
- Power supply: DC8-32V
- Can be conveniently used with rechargeable battery
- Waterproof, dustproof; IP69K

II. Specification:

Product Model	MCA42	
Specification	Sensor	1/2.9" 2MP CMOS
	Resolution	1920(H)x1080(V)
	Minimum Illumination	Color: 0.1Lux/F1.2; Black&White: 0Lux (IR LED ON)
	Electronic Shutter	1/60Second-1/5000Second
	Day/Night shift Mode	Auto IR-CUT
	Wide Dynamic	DWR≥80db
	Black-light Compensation	Support
	S/N	≥42db
	IR	<15m
	Lens	2.8mm M12 Lens, Fixed Aperture F2.2 (FOV H: 104°)

		V: 55°)
Video Format	Video Compression Standard	H.264
	Image Resolution	Main Stream:1080p @ 30fps
	Audio	N/A
Image	Maximum Image Size	1920x1080
	Highest Frame Rate	30FPS
	Image Setting	Chroma, Contrast, Saturation, Acutance
Transformation Performance	Utility Frequency	2412Mhz——2472Mhz
	Transmission Range	300M(Open Environment)
	Power	20dbm±1
	Radio frequency (Bandwidth)	12Mbps
	Spread Spectrum	Pwifi OFDM
	Video Latency	Within 200ms
Others	Operational Temperature	-30°C-- +70°C
	Operation Humidity	0% - 90%
	Power Supply	DC8-32V
	Waterproof Class	IP69K
	Installation Features	Mesa installation or hoisting mounting
	Adjustable Angle in Vertical	0°-- 270° (Mesa installation hoisting mounting and airplane mode)
	Power Consumption	Infrared off 3.3W; Infrared on 4.2W (Added thermal defogging module 3W)
	Dimension	L92.50 x W60 x H78.5mm

III. Structure:



HD Wireless Video Telematics Receiver

I. Main Features:

Streamax waterproof on-board video telematics receiver is a power supply device applied to supporting video telematics system. You can easily install it on the vehicles in various scenarios without complicated power wiring

- 1920*1080 @ 30fps;
- DC8-32V
- Single-channel receiver
- With wireless automatic frame skip
- Maximum video output AHD 1080P
- Support 1080P series wireless camera
- Waterproof, dustproof, IP69K

II. Specification:

Product	MCA42B	
Video Format	Video Compression Standard	H.264
	Video Output format	AHD (Impedance75Ω)
	Image Resolution	Main stream:1080p @ 30fps
	Audio	N/A
Image	Maximum Image Size	1920x1080
	Highest Frame Rate	30fps
Network	Utility Frequency	2412Mhz——2472Mhz
	Transmission Range	300M(Open Environment)
	Receiver sensitivity	-86DB
	Radio frequency (Bandwidth)	12Mbps
	Spread Spectrum	WIFI OFDM
	Video Latency	Within 200ms
Others	Operational Temperature	-20°C-- +70°C
	Operation Humidity	0% - 90%
	Power Supply	DC8-16V
	Waterproof Class	IP69K
	Installation Features	Mesa installation
	Power Consumption	MAX:5.6W
	Dimension	L92.50 x W60 x H78.5mm

III. Structure

