

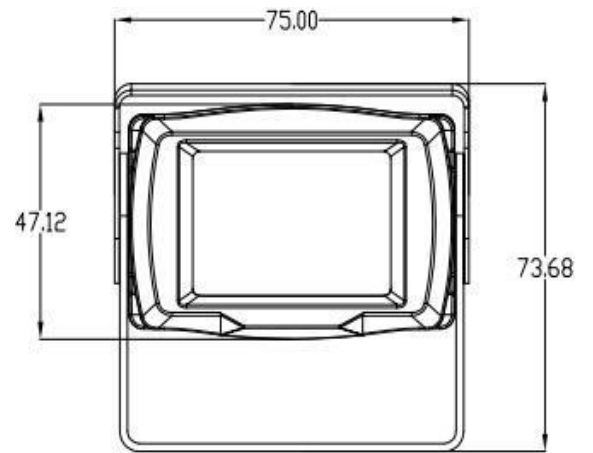
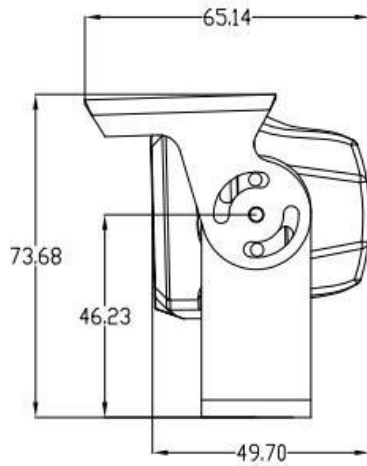
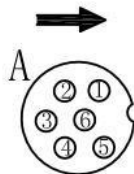
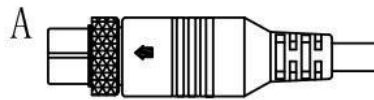
MC4XR

Exterior waterproof IPC

Picture	Features
	<ul style="list-style-type: none"> ● 1/2.9" progressive scan CMOS target surface ● Resolution: 1920H*1080V / 1280H*720V ● Minimum Illumination: 0.1Lux (color illumination), 0Lux (IR on) ● Electric shutter (auto), color-to B/W, and automatic white balance ● IR Distance: 8~10m ● IP67

Specifications	
Model	MC4XR
Imaging Component	1/2.9 " 2.0Mp progressive scan CMOS
Effective Pixels	1920(H)x1080(V)/1280(H)x720(V)
Signal System	50/60 Hz
Minimum Illumination	0.1Lux (color illumination) , 0Lux (IR on)
Shutter Speed	1/30 sec1~/10000 sec
Day/Night Switching	IR-Cut filter
IR Control	Auto (default)/Manual
Backlight Compression	Supported
Signal-to-Noise Ratio (S/N)	≥45dB
IR Distance	8~10m
Lens	2.8mm (HFOV: 95°; VFOV: 54°) 3.6mm (HFOV: 78°; VFOV: 44°)
Video Compression Standard	H.264 (default), H265 supported
Compression Output Bitrate	32Kbps~6Mbps
Image Resolution	Main stream: 1080P@25fps (720P@25fps available)
	Sub-stream: VGA/D1/CIF@10FPS
	Network transmission stream: CIF@10FPS (adaptive)
Network Port	10M/100M adaptive Ethernet port (6-pin aviation plug)
CBR/VBR	Supported

N9M	Supported (ONVIF not supported)
Client Preview	Accessible from Internet Explorer (plug-in to be downloaded from Streamax's official website)
Operating Temperature	-40°C~+70°C
Operating Humidity	0% ~ 90%
Power Supply	PON (DC12V, <3W)

Dimensions

Video Output Cable Ports


1---TXN- 2---TXP+ 3---12DC(+)

4---RXN- 5---RXP+ 6---GND