

Four-Port PON SWITCH Specifications



1. Product Overview

1.1 Product Introduction

SVT-PSwitch (V5.0)-N4UM is a switch specially designed for the HD MDVR market. It is easy to install, and supports multi-channel IPC access and PON power supply without extra configurations.

1.2 Product Features

- 1) The shell is made of high-strength materials for terrible environments.
- 2) It connects the MDVR to RJ45 ports with specially designed buckles to ensure the reliable connection in vibration environments.
- 3) It uses IPC Six-pin Aviation connectors to ensure the reliable connection in vibration environments.
- 4) It supports DC 8-36V input, which is suitable for 12V and 24V vehicles.
- 5) It has one 10/100/1000M adaptive RJ45 uplink port, and four 10/100M adaptive downlink ports for Six-pin Aviation connectors.
- 6) Power supply standard applies to ISO 7637-2.
- 7) Anti-vibration standard applies to MIL-STD-810F.
- 8) Certifications: E-mark, CE & FCC.

1.3 Product Parameters

	Items	Description
Ports	Feature	10/100/1000M adaptive (uplink port) 10/100M adaptive (downlink port)
	Type	1* RJ45 Port (for MDVR Cable) 4* Six-pin Aviation Connectors (for IPC Cable)
	Transmission Medium	UTP 5-e and above
Power	No-load Power Consumption	≤3W
	Power Input	DC 8-36V + MDVR supply DC12V
	Camera Power Supply	12V with each port supporting 7W

	Power Supply Standard	Each input port has the anti-surge capability with car power input port applying to the ISO 7637-2 standard.
Other Parameters	LED Indication	POWER/ MDVR/ IPC
	Anti-vibration Standard	MIL-STD-810F
	Dimensions	126.89mm (L) x 149mm (W) x 43.3mm (H)
	Weight	0.63 kg
	Work Environment	Operating Temperature: -40°C to 70°C Storage temperature: -40°C to 85°C

1.4 Product Drawings

1.4.1 Real Pictures

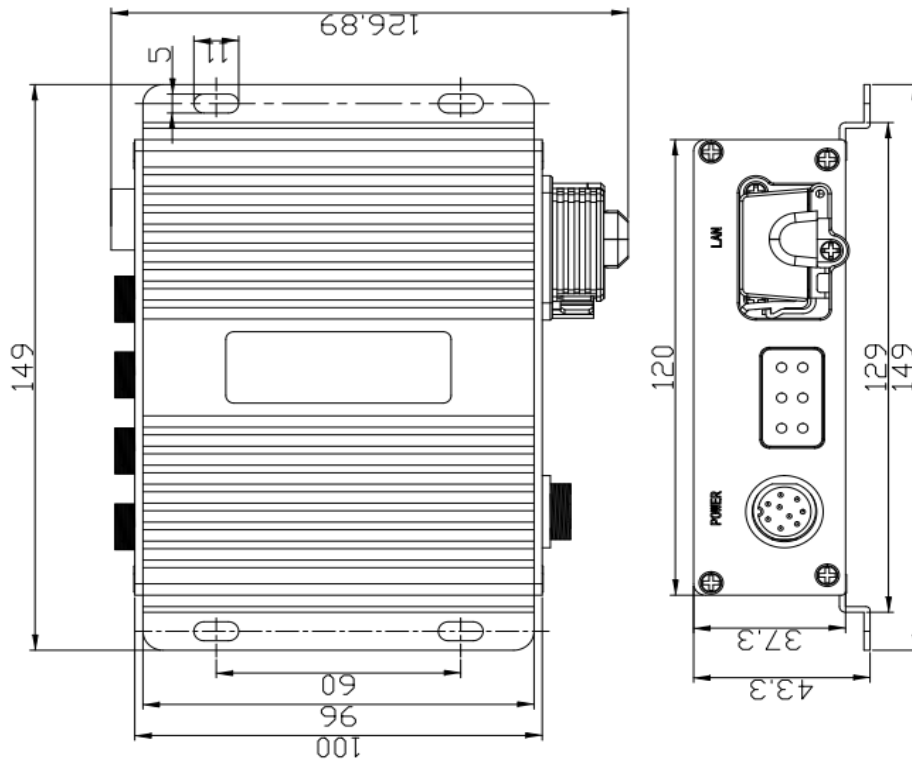
Front Shell



Rear Shell

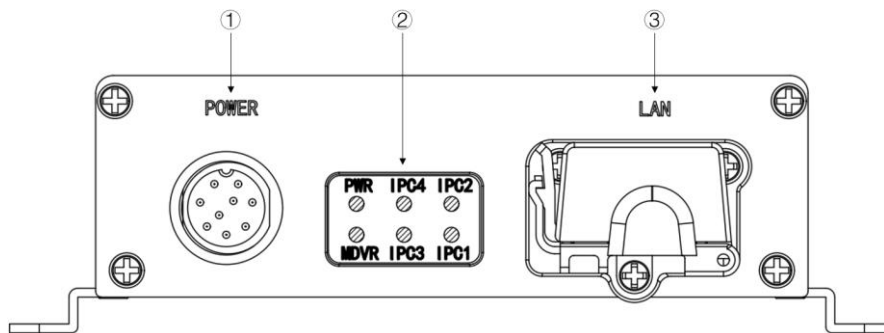


1.4.2 Dimensional Drawing (Unit: mm)



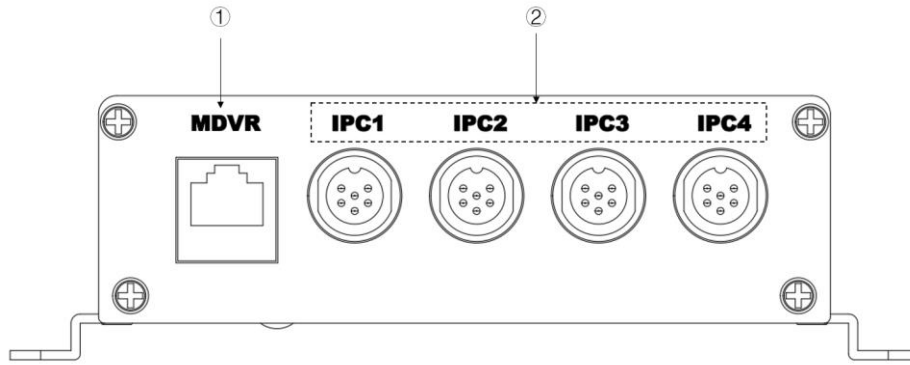
1.4.3 Panel Drawings

1) Front Panel



No.	Print	Description
①	POWER	External supply voltage ranges from 8-36V with MDVR supply voltage of 12V.
②	PWR	Power status indicator light
	IPC1~IPC4	IPC connection status indicator light
	MDVR	MDVR connection status indicator light
③	LAN	Debug network port

2) Rear Panel



No.	Print	Description
①	MDVR	To connect the MDVR
②	IPC1~IPC4	The 1 st to 4 th IPC interface

1.5 Structural Drawing

