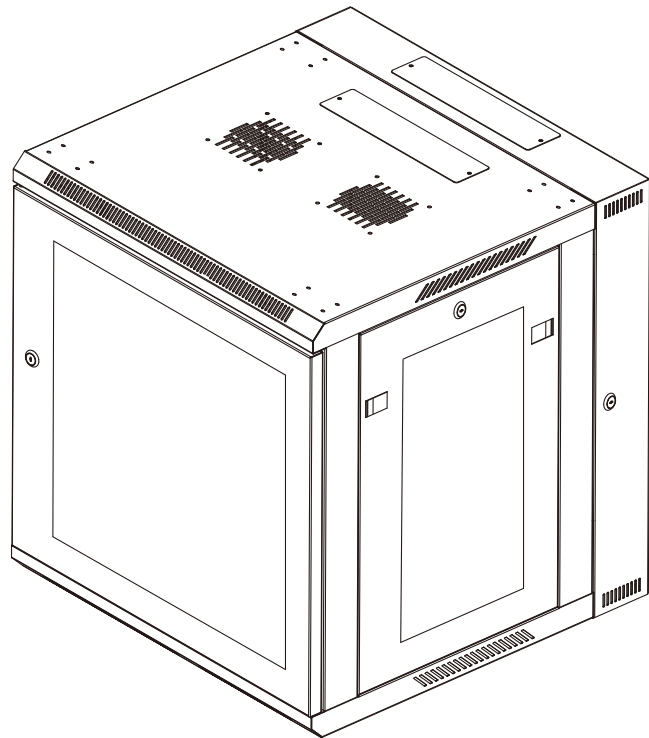


Swing-Out Wall Mount Enclosure

CRxU5 Series



SAVE THESE INSTRUCTIONS

Please read this manual and follow the instructions for installation and use.

Table of Contents

Safety Instructions	1
Part Identification	2
Enclosure Components	2
Hardware and Accessories	2
Initial Enclosure Setup.....	3
Door and Side Panel Locks	3
Reverse the Enclosure	3
Remove and Reverse Front Door	4
Relocate CyberPower Badge	5
Open and Remove Side Panels	5
Adjusting Rack Angles.....	6
Mounting Depth	6
Dual Mounting Holes	6
Cable Access	7
Grounding	7
Enclosure Installation	8
Mounting on Wall	8
Caster Installation	9
Equipment Installation	10
Mounting Using Square Holes	10
Mounting Using Threaded Round Holes.....	11

Safety Instructions

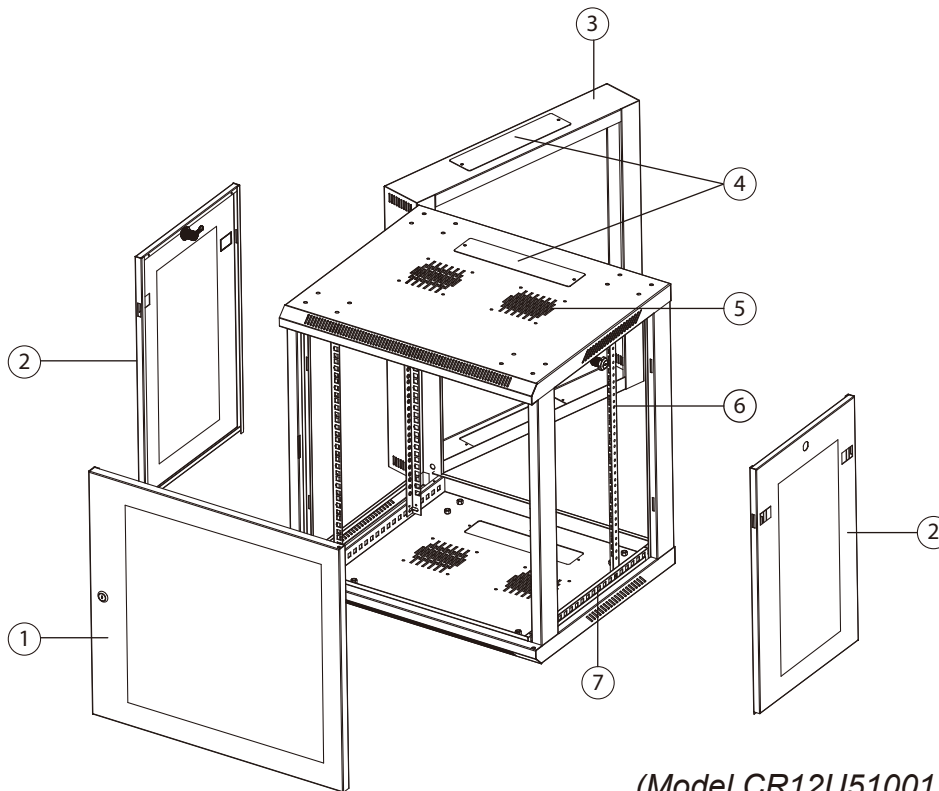


Please read these instructions carefully before use.

- The enclosure is a heavy object. Use of adequate mechanical means to move the enclosure to the desired location is highly recommended to minimize risk of injury or unit damage. For safety reasons, it is highly recommended to handle this unit between two or more people. Use caution when unpacking, moving, and installing the enclosure. Failure to follow may cause serious injury, or unit damage.
- Handle the unit with care. Take precautions to avoid damaging the enclosure when unpacking, moving, repacking, or installing. Damage to the unit as a result of negligence is not covered under warranty.
- Inspect the product and included accessories carefully before use. Do not use an enclosure with visible damage.
- Before installing the enclosure, ensure that the wall or the floor is even and capable of supporting the total load being installed in the enclosure, including the enclosure itself. Do not mount the enclosure to the wall with equipment installed in it.
- Do not stack enclosures and do not put any objects on the top of the enclosure.
- Keep the enclosure in an appropriately ventilated space, and do not block the surrounding of the enclosure to ensure proper ventilation.
- Install the enclosure in an indoor area, free of dust, extreme moisture and temperature changes, away from flammable objects, conductive contaminants, and exposure to direct sunlight.
- Keep packaging materials if the enclosure will be reshipped. Do not ship the enclosure with any equipment installed. This can cause damage to the packaging material that can result in unit damage.

Part Identification

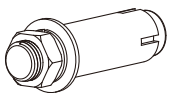
Enclosure Components



(Model CR12U51001 is shown)

1. Removable, Reversible, and Lockable Front Door
2. Removable and Lockable Side Panels
3. Swing-Out Rear Frame
4. Cable Access with Removable Covers
5. Vents
6. Depth-Adjustable Rack Angles with Dual Mounting Holes
7. Horizontal Rails

Hardware and Accessories



Expansion Bolt (4)



Key (2)



#12-24 Screw, Silver (30)



M6 Cage Nuts (30)



Cup Washer (30)



M6 Phillips-Head Screw, Black (30)

Initial Enclosure Setup

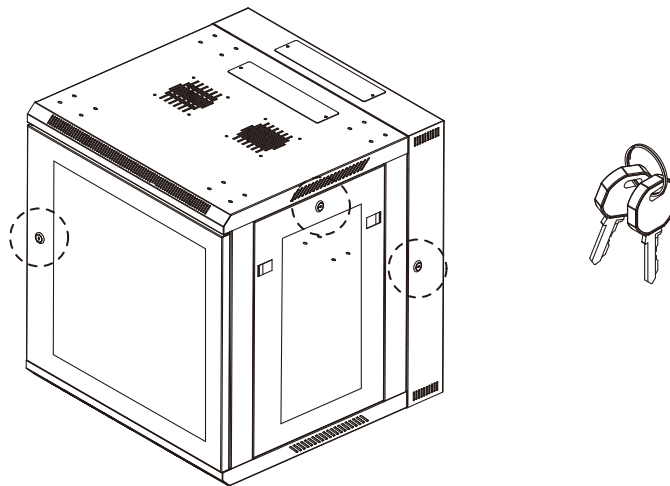


Setup the following configuration options shown in this section before mounting the enclosure on the wall.

Door and Side Panel Locks

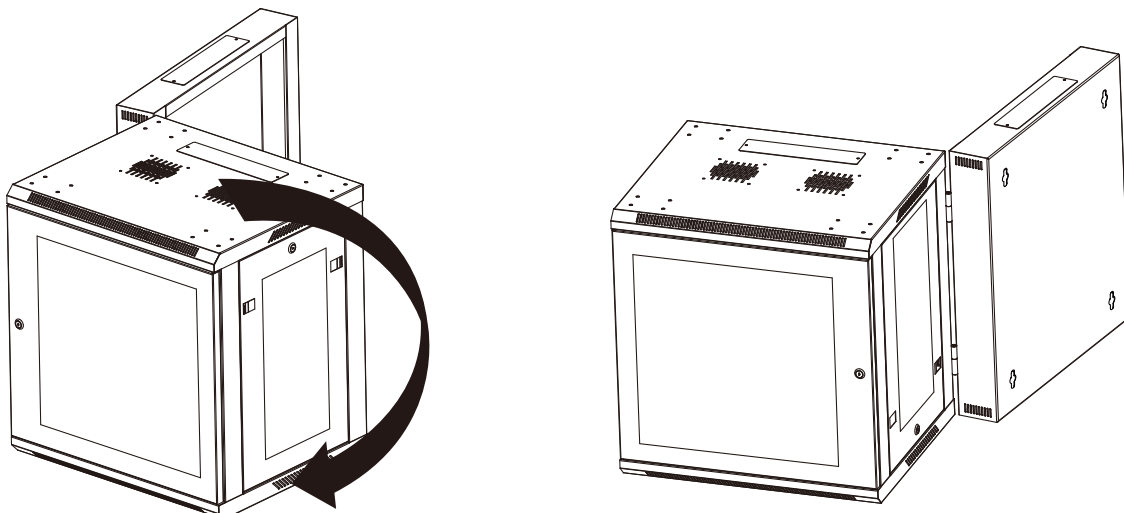
The front door, rear frame, and side panel locks are keyed-alike. The lock locations are shown below. Use the included keys to operate the locks.

NOTE: *The enclosure is shipped with the door locked. To access the keys in the accessories bag, open a side panel by pushing the black retention tabs inward as shown on page 5. Side panels are shipped unlocked.*



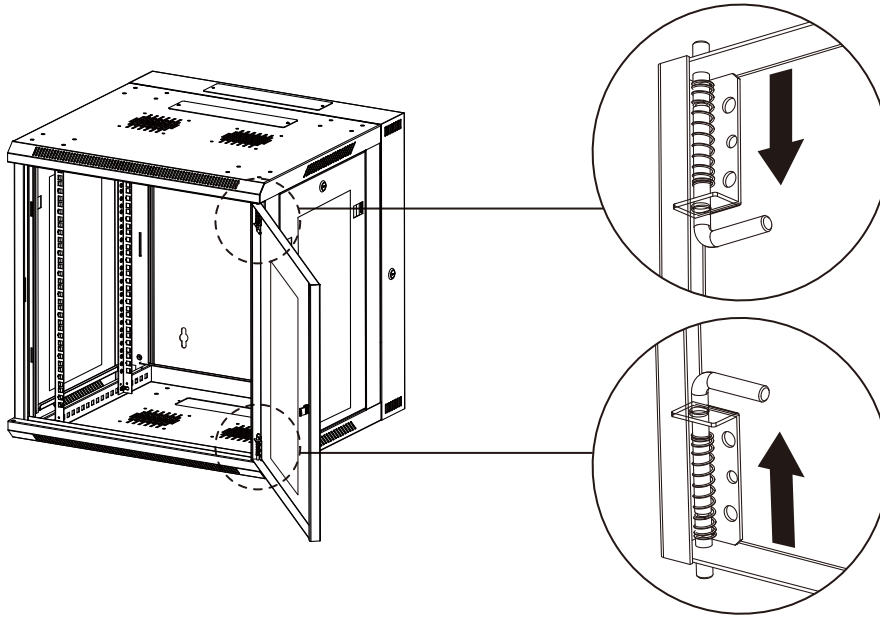
Reverse the Enclosure

The enclosure can be mounted in either a left, or right, swing-out direction. Ensure that the enclosure is mounted in the best swing-open direction suited for the application. Note that vertical rack angles may also need to be rotated in order for the rack U numbers to be in the correct reading orientation.

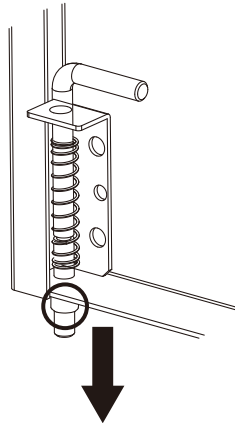


Remove and Reverse Front Door

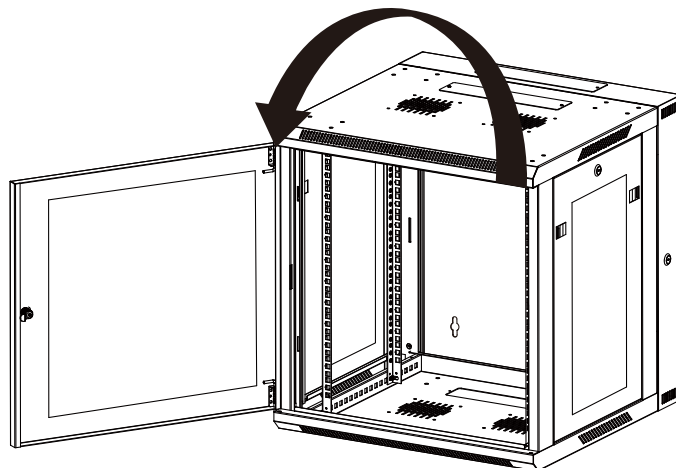
1. Pull on the spring loaded door pin hinges as shown below to remove the door from the enclosure.



2. Remove the door pin supporting washer from the bottom hinge and reinstall it on the opposite door pin hinge.



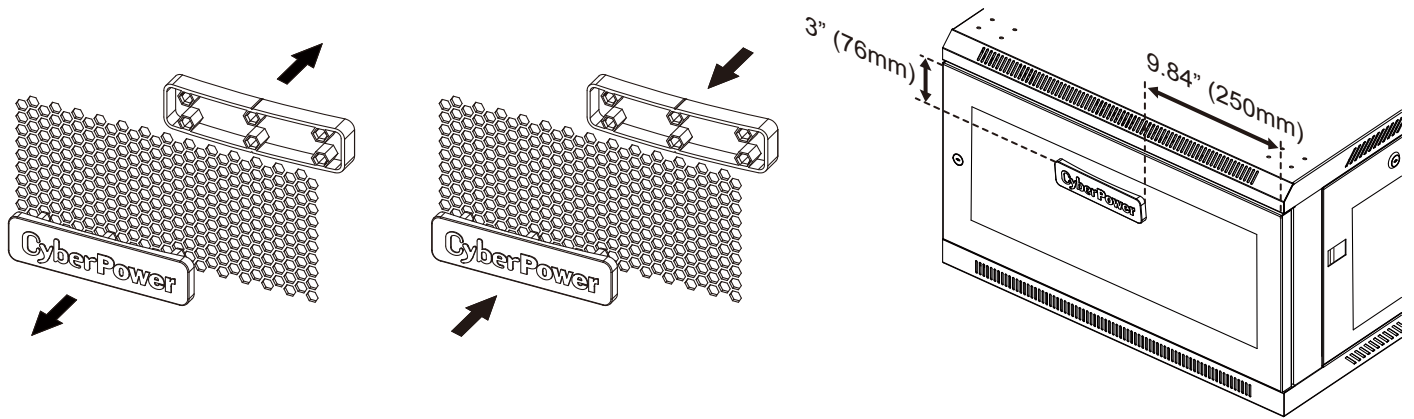
3. Rotate the front door and reinstall it on the opposite side sliding the door pin hinges into the hinge holes on the enclosure as shown below.



Relocate CyberPower Badge

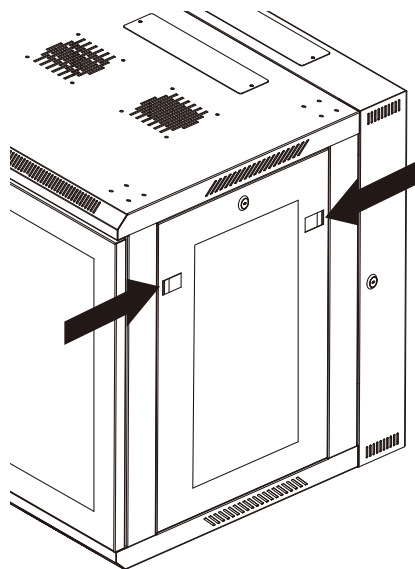
To relocate the CyberPower badge, pull the two parts apart as shown below. To re-install the badge measure the vertical and horizontal distance from the edge of the door as shown below and push both parts together.

NOTE: Please press hard to make sure the badge has been firmly installed.



Open and Remove Side Panels

Unlock the side panel and press the retention tabs simultaneously to release the side panel.

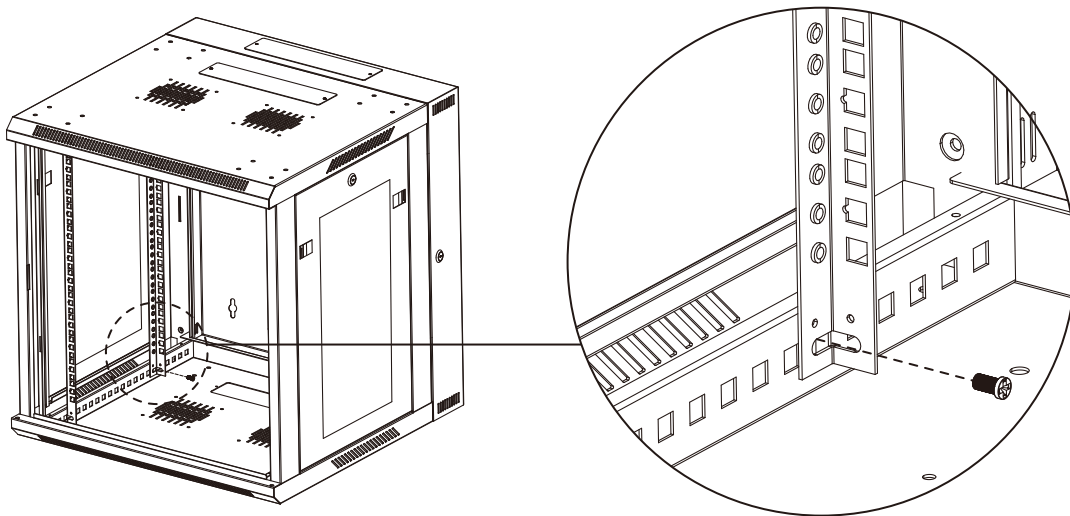


Adjusting Rack Angles

Mounting Depth

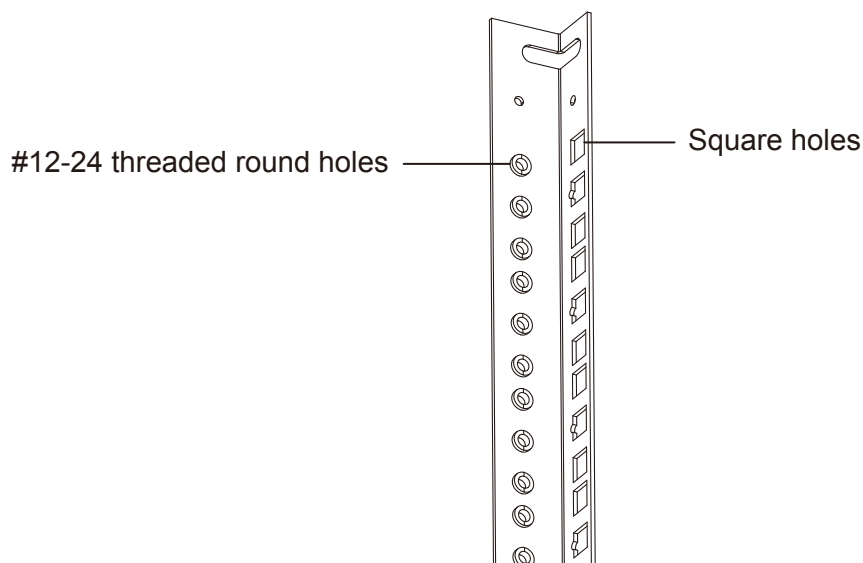
The installed depth of the rack angles can be adjusted by unscrewing them from the horizontal mounting rails. Move the cage nuts behind the upper and lower horizontal rails to the desired depth as shown below. Depth of the rack angles can be adjusted in 3/4" (20mm) increments.

NOTE: Verify the rack angles are installed at the correct depth before installing equipment in the enclosure. You may remove the two rear rack angles if only installing two post mounting equipment.

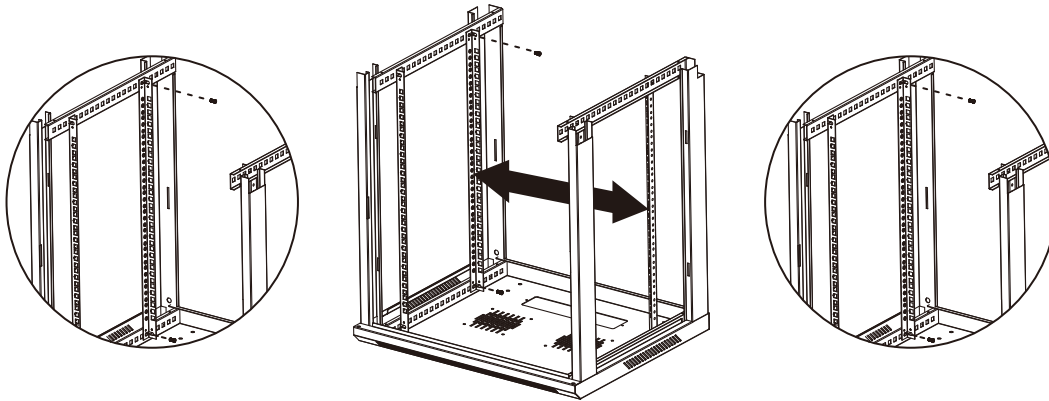


Dual Mounting Holes

The rack angles have dual mounting holes, square holes for use with cage nuts and #12-24 threaded round holes shown below.

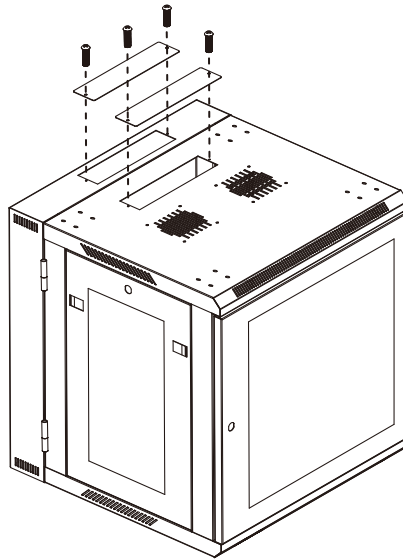


To use the side with the threaded holes, unscrew the rack angles from the horizontal mounting rails. Switch the rack angles to the opposite side of the enclosure while ensuring that the rack unit numbers face outward. Screw the rack angles to the horizontal mounting rails. Keep the desired mounting depth when switching the rack angles.



Cable Access

Cables can be routed through the top or bottom cable openings of the enclosure. To access the cable opening, remove the two screws securing the cover you are removing as shown below.



Grounding



An individual grounding connection per enclosure is strongly recommended. Failure to follow may result in serious injury or death.

To connect the enclosure to the facility's ground, use the grounding nut in the enclosure. The grounding point is marked in the enclosure with the ground symbol shown below.



Enclosure Installation



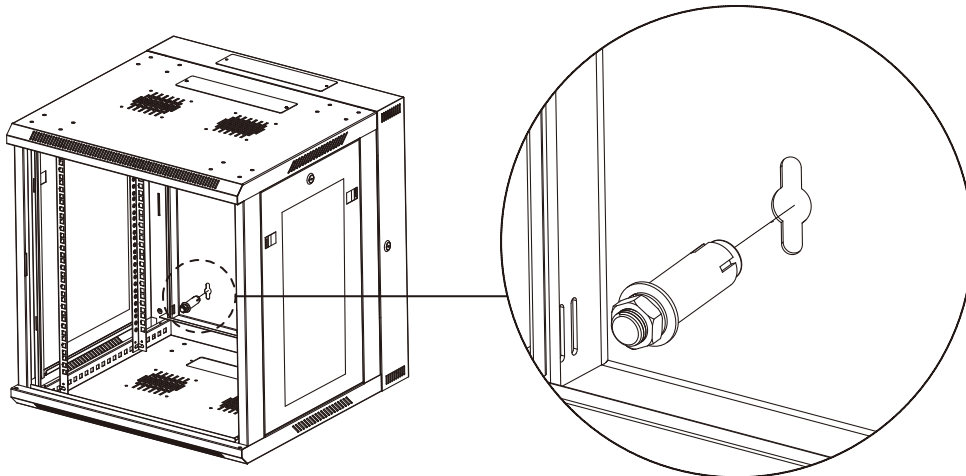
The enclosure is a heavy object. For safety reasons, it is highly recommended to handle this unit between two or more people. Failure to follow these instructions may cause serious injury, or unit damage.

Mounting on Wall

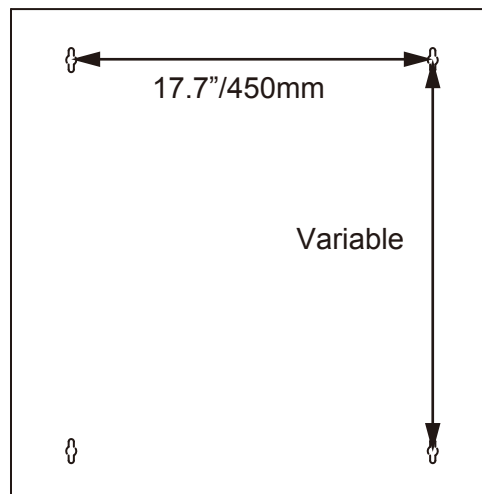


Before installing the enclosure make sure that the wall is capable of supporting the total load being mounted in the enclosure, including the enclosure itself. Make sure the enclosure is properly mounted to the wall before installing equipment in the enclosure. Do not mount the enclosure with equipment installed in it.

Use the included expansion bolts, or other appropriate mounting hardware, to mount the enclosure to the wall as shown below.



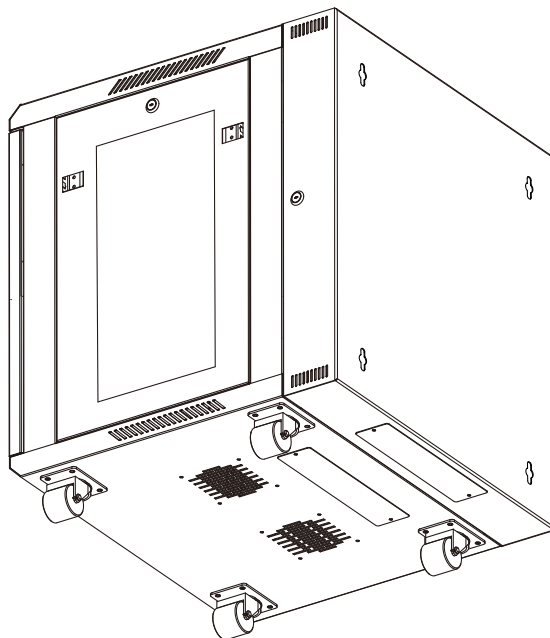
The horizontal distance between keyholes, center to center, is 17.7" (450mm). The vertical distance between keyholes varies by model heights. Measure the vertical distance of the unit being installed before mounting the enclosure.



Caster Installation

CyberPower's Wall Mount Enclosures are compatible with an optional caster kit (CRA60002) shown below. Please contact your sales representative for ordering information.

NOTE: For installation information, please see the CRA60002 quick start guide.



Equipment Installation



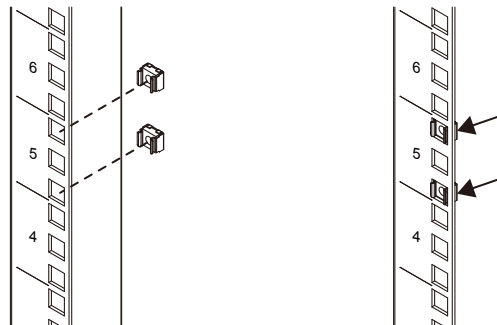
- Verify that the enclosure is securely mounted to the wall prior to installing any equipment.
- It is strongly recommended to first install equipment in the bottom of the enclosure. Heavier equipment should be installed in the bottom of the enclosure.
- If using sliding rails with installed equipment, use caution when pulling the equipment out of the enclosure as it can cause loading to shift and increase the hazard of tipping or failing. If multiple pieces of equipment use sliding rails only slide one piece of equipment out at once.

CyberPower's wall mount enclosures have dual-hole rails, square holes and #12-24 threaded round holes. To change the type of mounting holes that are facing forward please see the *Adjusting Rack Angles* section. Use the black cage nuts and black screws for square holes, and use the silver #12-24 screws for the round holes.

NOTE: Please review your equipment instructions carefully before installing in the enclosure.

Mounting Using Square Holes

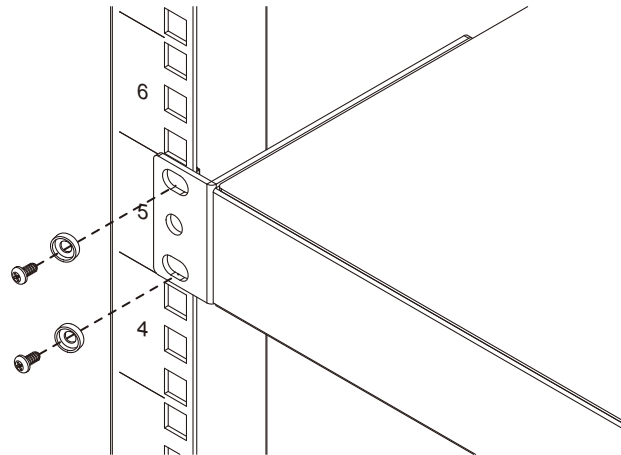
1. Install the included black M6 cage nuts from the back of the rack angles as shown below, and press the sides of the cage nuts to make sure they have been inserted properly.



To ensure proper and secure installation, cage nuts need to be installed horizontally as shown below. Installing cage nuts in the incorrect orientation can cause injury or equipment damage.

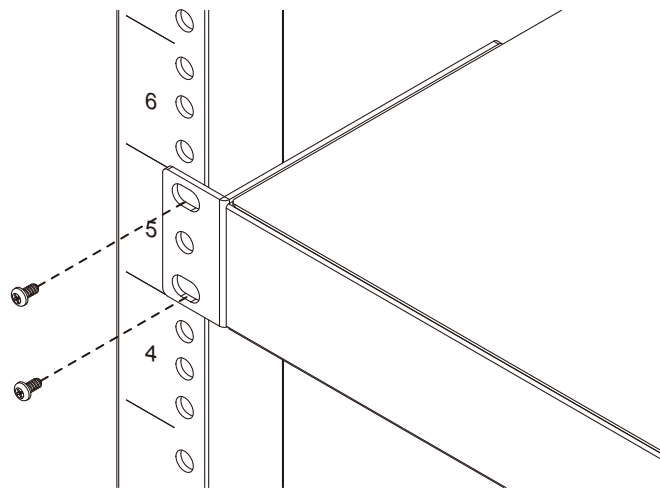


2. Install the equipment by screwing the included black M6 screws and cup washers into the cage nuts as shown below.



Mounting Using Threaded Round Holes

Simply install the equipment by screwing the included silver #12-24 mounting screws into the threaded holes as shown below.



For warranty and additional information, please visit: www.cyberpower.com.

CyberPower[®]

Cyber Power Systems, Inc.

www.cyberpower.com

For USA and Canada:

4241 12th Ave East, Suite 400

Shakopee, MN 55379

Toll-free: (877) 297-6937

For all other regions:

Please visit our website for local contact information.