

# 5MP IR Fixed Bullet Analog Camera

UAC-B115-F28

UAC-B115-F40



## Introduction

UAC-T115-F28/F40 is a 5MP turret analog camera with 1/2.7-inch high-performance CMOS image sensor. Support AHD/TVI/CVI/CVBS protocol, effectively enhance product adaptability and networking solution diversity; With SYV-75-3 and other types of coaxial cable the video transmission distance can reach up to 500 meters, which can achieve low-cost, long-distance, anti-interference, no delay mega-pixel HD video transmission; Support ICR IR filter automatic switching, color imaging for daytime, black and white imaging for nighttime.

## Key Features

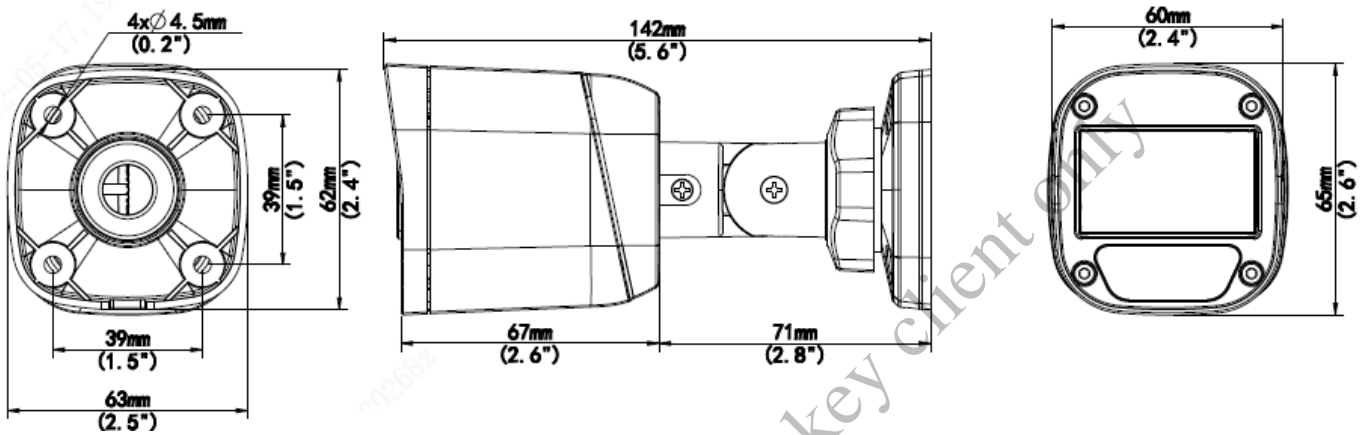
- 5MP,HD
- Fixed lens 2.8mm/4mm
- AHD/TVI/CVI/CVBS
- IR-cut filter with auto switch (ICR)
- Smart-IR function is available, effectively prevents overexposure at short range
- Support image horizontal flip 180°, vertical rotation 180°
- Support OSD configuration, which is easy to configure and operate
- IP67 High reliability with waterproof and dustproof design
- Support 11 languages

## Specifications

Model	UAC-B115-F28/F40
<b>Sensor</b>	
Pixel	5MP
Size	1/2.7"
Minimum Illumination	colour 0.02Lux@F2.0
<b>Lens</b>	
Lens	2.8mm@F2.0, 4.0mm@F2.0
Lens mount	M12
FOV	2.8mm: H 97.8°; V 52.9°; D 117.9° 4.0mm: H 82.5°; V 44.9°; D 99.3°
<b>IR Range</b>	
Fill-in Light	An IR Light
IR distance	20m
Life span	≥60000h
<b>Image</b>	
Resolution	5MP@25fps: 2880(H)×1620(V); 5MP@20fps: 2592(H)×1944(V) 4MP: 2560(H)×1440(V) 2MP: 1920(H)×1080(V)
Frame rate	AHD: 5MP@20 fps, 4MP@30 fps, 4MP@25 fps, 1080P@30 fps, 1080P@25 fps CVI: 5MP@25 fps, 4MP@30 fps, 4MP@25 fps TVI: 5MP@20 fps, 4MP@30 fps, 4MP@25 fps CVBS: 1200*576@50 fps, 1200*480@60 fps (PAL: 25fps/50fps; NTSC: 30fps/60fps)
Shutter	PAL: 1/25s-1/50000s NTSC: 1/30s-1/50000s
<b>Image control</b>	
Exposure mode	Three modes optional: Overall (Default), BLC, DWDR;
Day/Night	IR-cut filter with auto switch (ICR)
DNR	2D
White balance	Auto
WDR	DWDR
Smart IR	Available
Flip	Support image horizontal flip 180°, vertical rotation 180°
<b>Interface</b>	
Power	DC12V(±25%), Support anti-reverse connection and overvoltage protection
Video output	BNC, Support AHD/TVI/CVI/CVBS transmission
<b>Transmission distance</b>	
Transmission distance	SYV-75-3 cable supports 500m transmission
<b>Working Environment</b>	
Temperature	-30°C~60°C
Humidity	≤95% RH (non-condensing)
Surge Protection	4KV
Ingress Protection	IP67

General	
Installation	the camera is equip with 3-axis bracket, support surface installation (default), adaptable to junction box, wall-mount bracket and ceil-mount bracket.
Dimensions	141.4mm*63.7mm*65.4mm (Length*Width*Height)
Certifications	CB、CE、FCC、IC、UL、BIS

## Dimensions



UAC-B115-F28 / F40 Dimensions



**Zhejiang Uniview Technologies Co., Ltd.**

Building No.10, Wanlun Science Park, Jiangling Road 88, Binjiang District, Hangzhou, Zhejiang, China (310051)

Email: [overseasbusiness@uniview.com](mailto:overseasbusiness@uniview.com); [globalsupport@uniview.com](mailto:globalsupport@uniview.com)

<http://www.uniview.com>

©2021 Zhejiang Uniview Technologies Co., Ltd. All rights reserved.

\*Product specifications and availability are subject to change without notice.