

# AX-M620-GZ

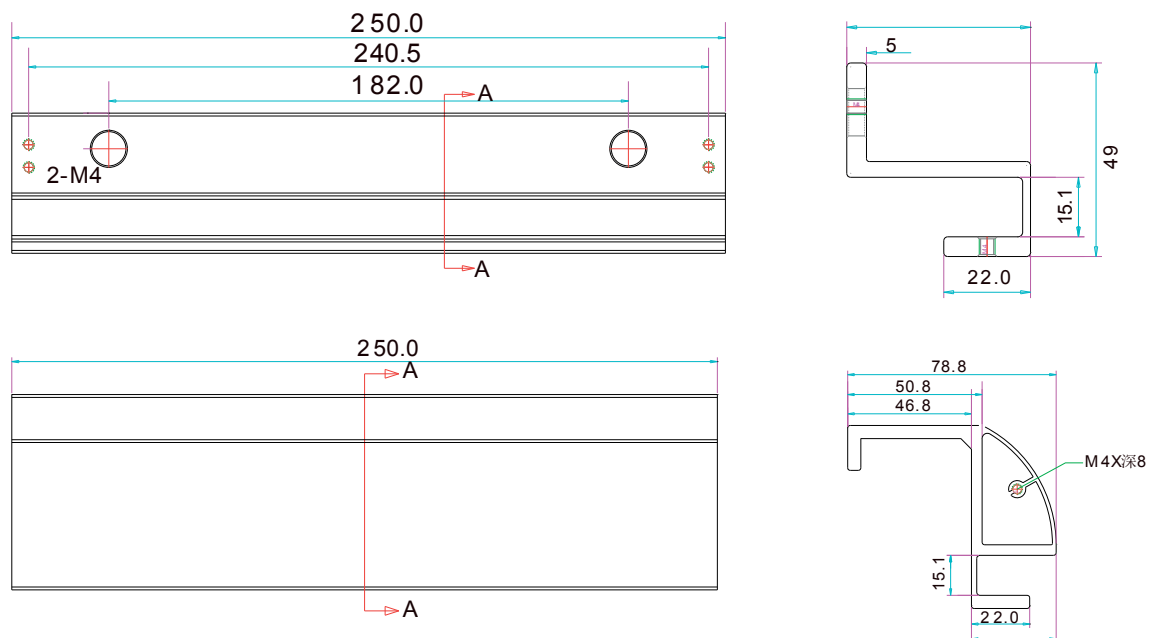
Magnetic Lock Bracket for  
Frameless Glass Door

axceze®

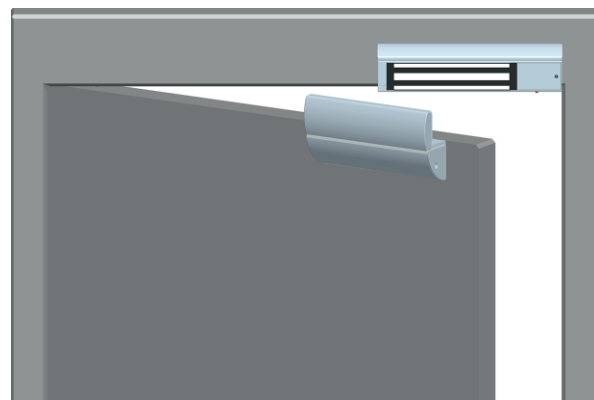
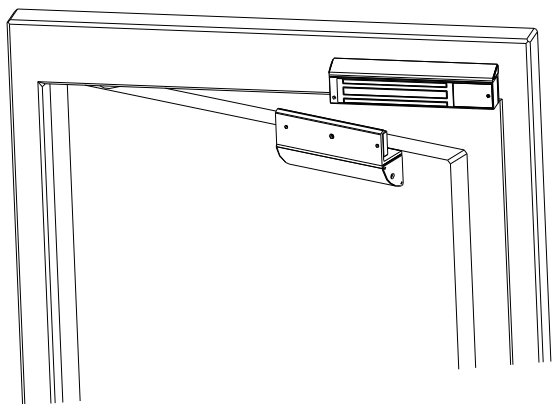
## ► Specification

- Dimension: 250L x 47W x 28H(mm)
- Material: High Strength Aluminium,
- Sandblast Finished
- Suitable for: 10-15mm Frameless Glass Door
- Opening Mode: 90 Degree Door
- Use with: 280kgs Series Magnetic Lock
- Finished for Shell: Anodized Aluminium
- Weight: 0.89kg

## ► Dimension



## ► Installation



CE MA

axceze®

AX-M600-GZ