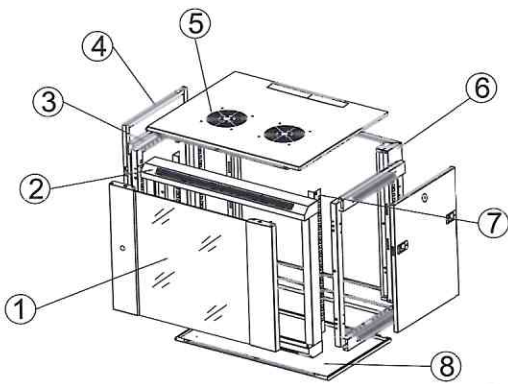


SE WALL BOX MANUAL ASSEMBLY



Packing list

- ①---Front door---1pc
- ②--- Front frame---1pc
- ③--- Side frame---2pcs
- ④--- Side panel---2pcs
- ⑤--- Top---1pc
- ⑥--- Back frame---1pc
- ⑦---19" mounting rails ---2pcs
- ⑧--- Bottom---1pc
- ⑨--- Package of accessories

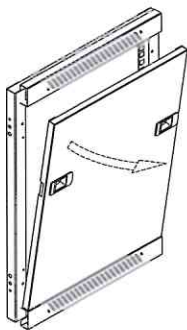
Item list of accessories package

- M5X10 self-tapping screws---8pcs
- M6X12 screws ---21U & More than 21U, 12pcs
- less than 21U, 8pcs
- M6X12 screws & square nuts---12U & less than 12U, 10SET
- More than 12U, 20SET

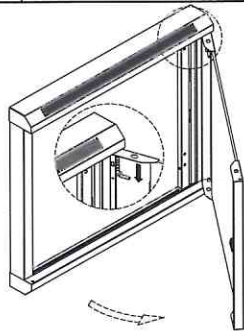
Tip: Check the quantities of the items after open package, ensure the quantities is right to improve the assembly efficiency.

ATTENTION:

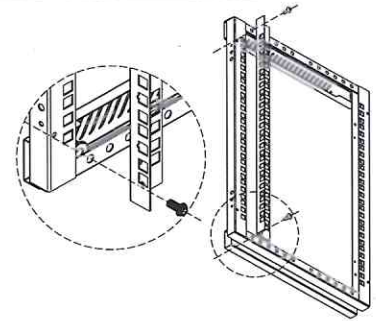
please remove front/back door and side panel from the frame prior to unpacking



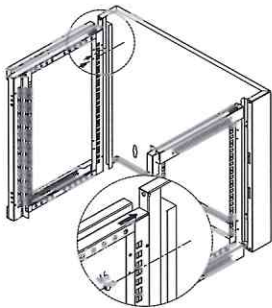
【1】 Remove ⑦ from ②, put them separate for the preparation of the frame assembly.



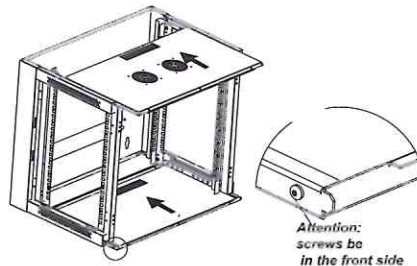
【2】 Open the front door by key, pull the door latch downward, refer to the picture, remove the front door from front frame, put them separate for the preparation of the frame assembly.



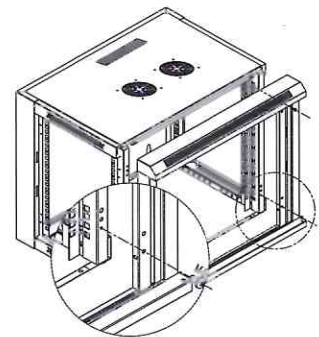
【3】 Fix 19" mounting rails to the first holes of top & bottom of side frames by 4sets of M5 screws.



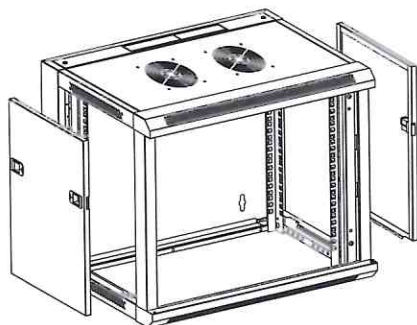
【4】 Install side frames to the grooves of back frame by 4pcs of M6*12 screws (6pcs if more than 18U) as shown by the arrow in the picture, note 19" mounting rails are in the front side.



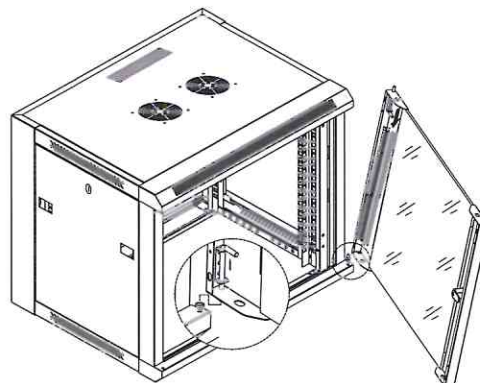
【5】 Install top and bottom as shown by the arrow in the picture.
Tip: Please note the direction when install bottom, screws will be in the front side, please refer to picture.



【6】 Install front frame by 4pcs of M6*12 screws (6pcs of M6*12 screws if more than 18U), refer to the picture.



【7】 Install side panels, refer to the picture



【8】 Repetition step 2, install front door.

Tip: SE enclosure is the bolted structure, need to adjust the diagonal size of enclosure after the assembly, ensure homogeneous space for all doors and doors work well.