

Field Notes



VS1 and VS2 - RS-232 DB-9 Connection Diagram

Issue

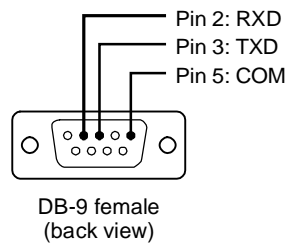
The DB-9 pin connections for an RS-232 cable are illustrated in the SA-232 installation sheet and in the VS1 and VS2 technical reference manual. These diagrams are incorrectly labeled.

The connector required is a DB-9 female, and the view should be labeled "back view."

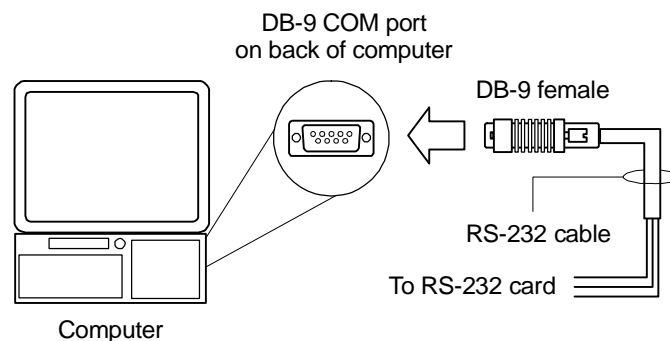
Solution

The corrected diagrams are shown below. These will be incorporated into the next release of the installation sheet and manuals.

DB-9 pin connections



Computer download wiring



Contacting support

GE

Security

8985 Town Center Parkway

Bradenton, FL 34202

T (888) 244-9979

F (866) 226-2126

E vigilant.techsupport@ge.com