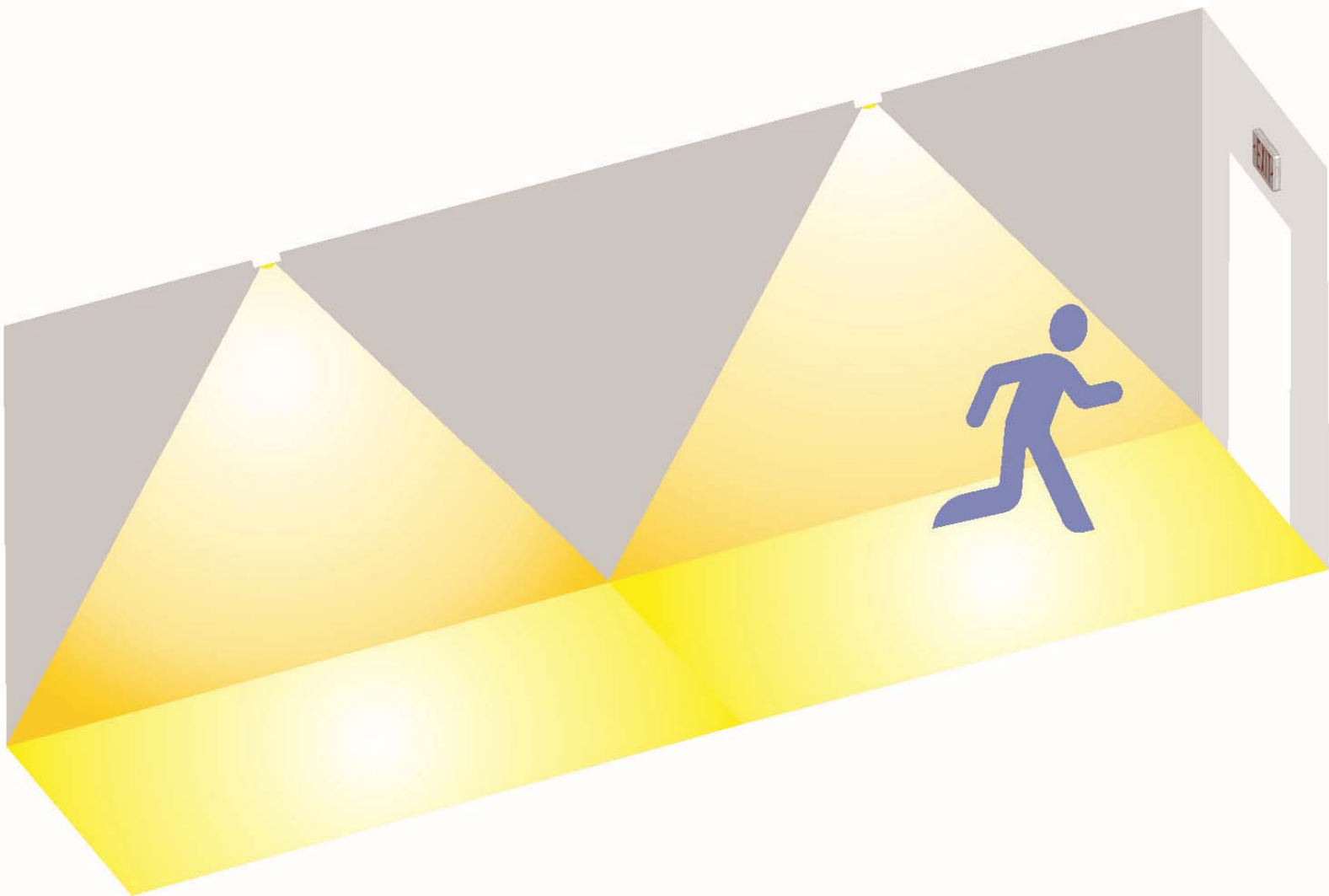


SPECIFICATION SHEET FOR LED SALIDA SIGN AND EMERGENCY LIGHTING COMBO

KDC-860 Series



Je Woo Corporation, Ltd.
Dong Sheng Industrial Park, Dong Sheng Village, Chen Jiang
Subdistrict office, Zhong Kai High-Tech Development Zone, Hui
Zhou City, Guang Dong, P.R.C.
Tel: 86-752-312-5585
Fax: 86-752-312-5586 / 5587

Table Of Content

Revision History ----- 1

Product Photo ----- 2

Product Dimension----- 2

Product Feature----- 2

Order Guide----- 2

Model List and Parameter----- 3

Photometric----- 4

Remote heads----- 5

Packaging ----- 5

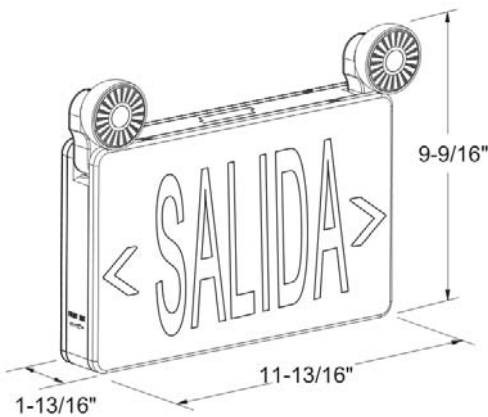
Revision History

Revised Symbol	Revised Description	Version	Revised By	Revised Date
	New create	E.0	Harris Chen	2013.9.16
	Update model list and parameter	E.1	Harris Chen	2016.1
	Add remote heads option	F.1	Harris Chen	2019.9.30

Product Photo



Product Dimension



Product Feature

Housing

- Injection-molded thermoplastic ABS housing.
- Plastic enclosure with 5VA flame retardant.
- Replaceable directional chevron insert are easily remove and reinsert.
- Two fully adjustable glare-free square shape light heads for emergency light.
- Red or green letter with 6 " height and 3/4" stroke.
- Single and double face configuration.

Electrical

- 120/277VAC Dual voltage operation.
- Test switch and charge rate indicator.
- 3.6V long-life, maintenance-free, rechargeable Ni-Cad battery or Ni-Nh battery.
- 24hours or 48hours recharge after 90 minutes discharge.

Illumination

- SMD high power LED, CCT 6000K, L70 35,000 hours.
- 1 watts high power LED per head for standard model, fixture provide 150lm on initial discharge.
- 2 watts high power per head for high lumen model, fixture provide 250lm on initial discharge.

Mounting

- Suitable for wall mounting, ceiling mounting and side mounting.
- Housing snaps to canopy with simple twist and locking tightly secure housing to canopy.

Options

- CT option with self-testing and self-diagnostics.
- RC option with remote capability.

Listing

- Suitable for use in 10°C-40°C ambient temperature, suitable for damp location.

Order Information

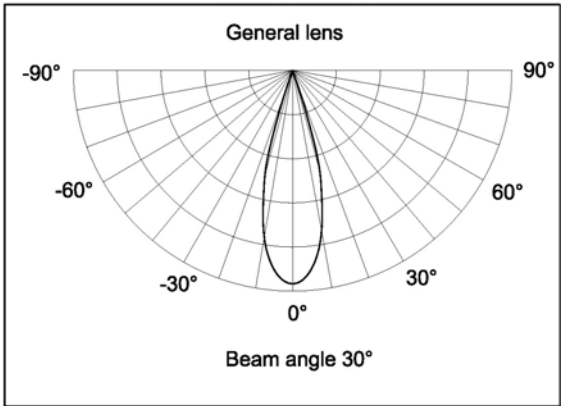
Family	Letter color	Lumen Output & Remote Capability	Test Facility	Housing Color	Voltage
KDC-860	R: Red	Blank: W/O remote capability -2RC: Max. 3.6V 1.5W remote capability -4RC: Max. 3.6V 2.5W remote capability	Blank: Manual test	W: White	1: 120/277V
	G: Green	-HO: High lumen output -HO2RC: High lumen output with 3.6V 1.5W remote capability	CT: Self- diagnostics	B: Black	3:220-240V

Model List and Parameters

No.	Model	Test Facility	Battery	Recharge Time	Emergency Duration	Input			Output		
						Voltage	Hz	Power Consumption (maintenance mode)	Lamp Head	Luminous Flux	Remote Capability
1	KDC-860R(G)	Manual test	Ni-cad 3.6V900mAh	24 hours	90 minutes	120/277	60	3W	1W *2pcs	150 lm	N/A
2	KDC-860R(G)-2RC	Manual test	Ni-cad 3.6V900mAh 2pcs	48 hours	90 minutes	120/277	60	3W	1W *2pcs	150 lm	3.6V 1.5W
3	KDC-860R(G)-4RC	Manual test	Ni-Mh 3.6V1500mAh 2pcs	48 hours	90 minutes	120/277	60	3W	1W *2pcs	150 lm	3.6V 2.5W
4	KDC-860R(G)-HO	Manual test	Ni-cad 3.6V900mAh 2pcs	48 hours	90 minutes	120/277	60	3W	2W *2pcs	250 lm	N/A
5	KDC-860R(G)-HO2RC	Manual test	Ni-Mh 3.6V1500mAh 2pcs	48 hours	90 minutes	120/277	60	3W	2W *2pcs	250 lm	3.6V 1.5W
6	KDC-860R(G)-CT	Self- diagnostics Self-testing	Ni-cad 3.6V900mAh	24 hours	90 minutes	120/277	60	3W	1W *2pcs	150 lm	N/A
7	KDC-860R(G)-2RC-CT	Self- diagnostics Self-testing	Ni-cad 3.6V900mAh 2pcs	48 hours	90 minutes	120/277	60	3W	1W *2pcs	150 lm	3.6V 1.5W
8	KDC-860R(G)-4RC-CT	Self- diagnostics Self-testing	Ni-Mh 3.6V1500mAh 2pcs	48 hours	90 minutes	120/277	60	3W	1W *2pcs	150 lm	3.6V 2.5W
9	KDC-860R(G)-HO-CT	Self- diagnostics Self-testing	Ni-cad 3.6V900mAh 2pcs	48 hours	90 minutes	120/277	60	3W	2W *2pcs	250 lm	N/A
10	KDC-860R(G)-HO2RC-CT	Self- diagnostics Self-testing	Ni-Mh 3.6V1500mAh 2pcs	48 hours	90 minutes	120/277	60	3W	2W *2pcs	250 lm	3.6V 1.5W

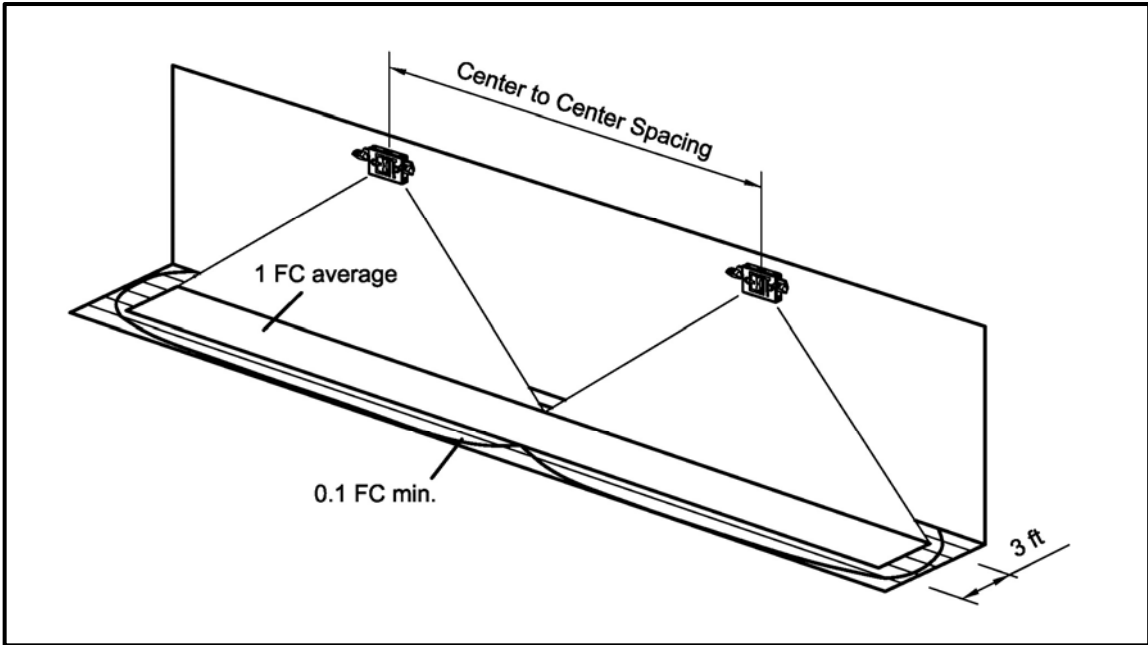
Photometric

Luminous intensity distribution



Center to Center Spacing

NFPA 101 requires 1.0 foot-candle average and 0.1 foot-candle minimum with a 40:1 maximum/minimum ratio. The corridor used is 100 feet long, 9 feet ceiling with a 6 feet wide walkway and 3 feet path of egress. The reflectance are 80% ceiling, 50% walls and 20% floors. The fixture mounting height is 7.5 feet.



No.	Model	Center to Center Spacing	Lumen output
1	KDC-860	16 feet	150 lm
2	KDC-860-HO	24 feet	250 lm

Remote Heads Options



EXH-661W-1W
 · Single remote head, 3.6V 1W delivers 55lm per unit.
 · Operation temperature range 10°C...+40°C suitable for damp location.
 · UL, cUL listed.



EXH-662W-1W
 · Dual remote heads, 3.6V 2W Delivers 110lm per unit.
 · Operation temperature range 10°C...+40°C. Suitable for damp location.
 · UL, CUL listed.



RM-S
 single remote head, 3.6V 0.75W. Delivers 85lm per unit, operation temperature range 0°C...+50°C. Suitable for damp location. UL, CUL listed.



RM-D
 dual remote heads, 3.6V 1.5W Delivers 170lm per unit. , operation temperature range 0°C...+50°C. Suitable for damp location. UL, CUL listed.

Specially constant current remote head (wet locations)

KDC-860-2RC – can drive WEXH-900L-0.75W 1pcs
 KDC-860-4RC – can drive WEXH-910L-1.5W 1pcs or WEXH-900L-0.75W 2pcs



WEXH-900L-0.75W
 · Single remote heads, DC3-12V input, 0.75W, delivers 80lm constantly.
 · Operation temperature range 0°C...+50°C suitable for wet location.
 · UL, cUL listed.



WEXH-910L-1.5W
 · Dual remote heads, DC3-12V input, 1.5W, delivers 160lm constantly.
 · Operation temperature range 0°C...+50°C suitable for wet location.
 · UL, cUL listed.

Packaging

