

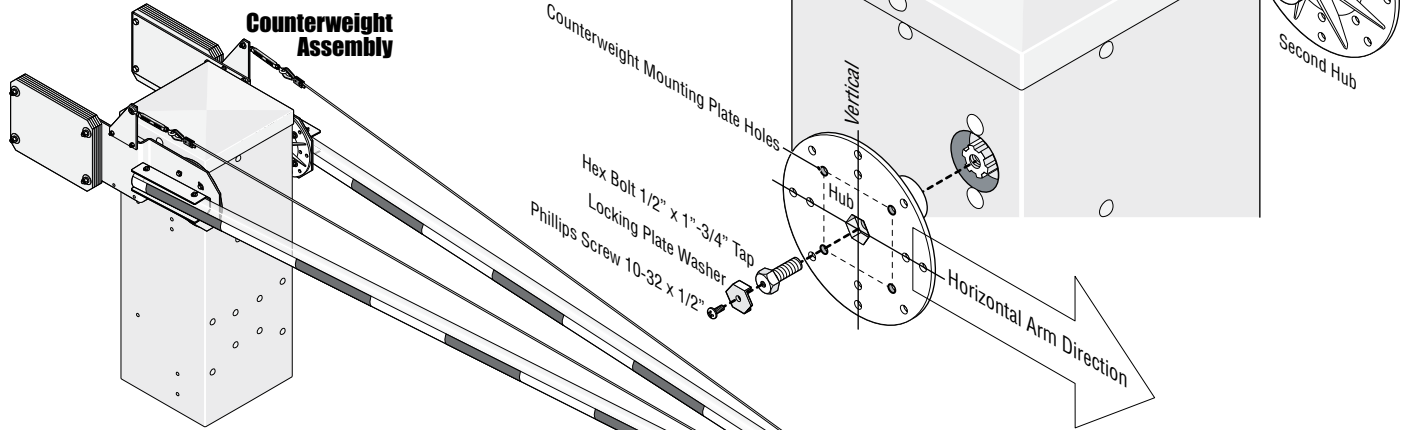
3-PIECE ALUMINUM ARM KIT

DoorKing Part Numbers
1602-162 20 ft Arms **1602-164** 24 ft Arms **1602-166** 27 ft Arms

These kits are designed for the 1602 model barrier gate operator **ONLY**.

Installation

Mount hubs on operator **FIRST**. Test hubs **UP** and **DOWN** positions **BEFORE** installing counterweight mounting plates. Then assemble arms, cables and counterweights.

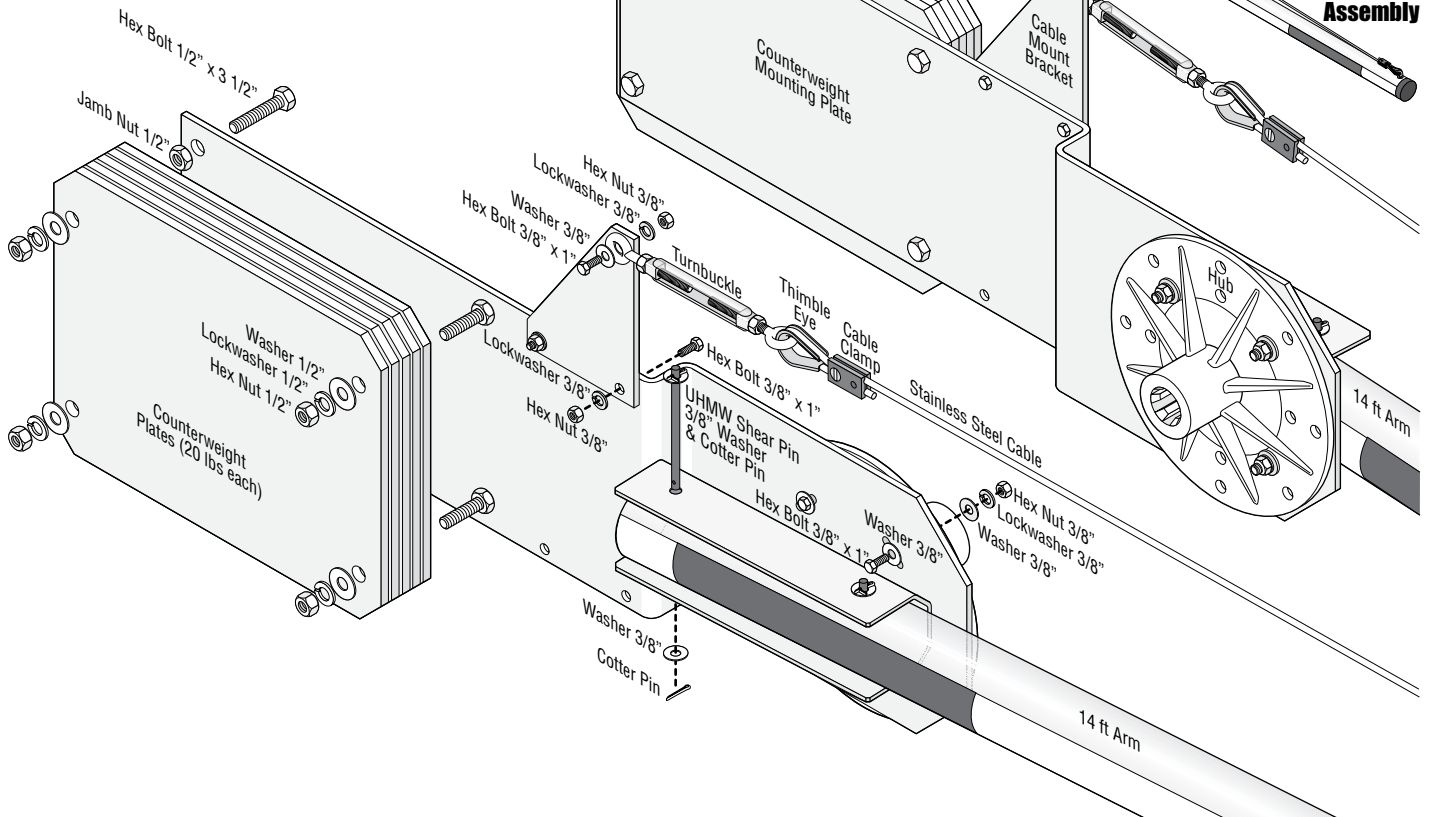


Support arms during assembly until all cables have been installed, adjusted for level and all counterweight plates have been bolted on.

Wishbone Assembly

Supporting Steel Cable Note:
The End of Arm Assembly steel cable is **ONLY** used on the 27 ft arm. See back page.

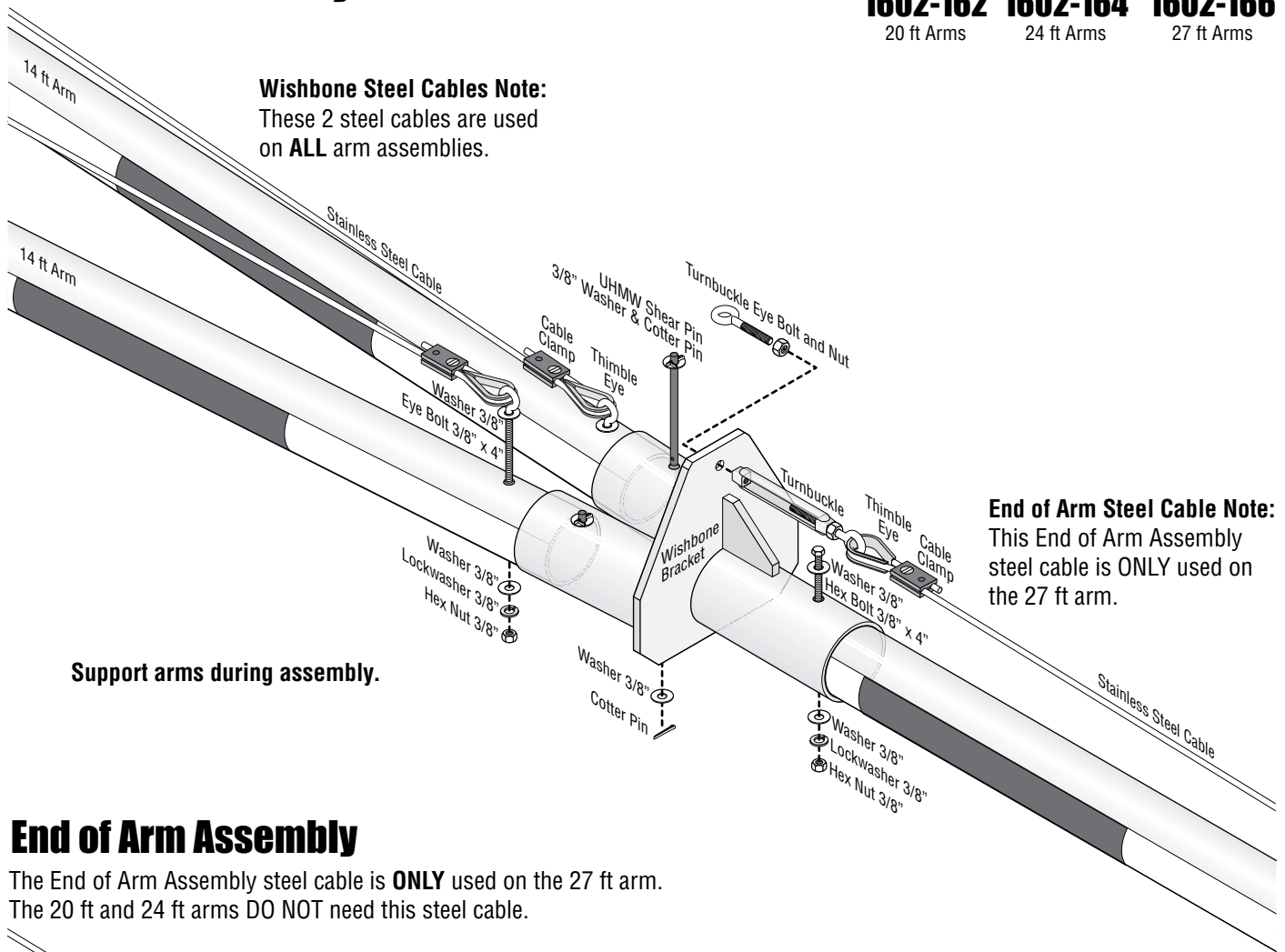
Counterweight Assembly



Wishbone Assembly

DoorKing Part Numbers
1602-162 20 ft Arms **1602-164** 24 ft Arms **1602-166** 27 ft Arms

Wishbone Steel Cables Note:
 These 2 steel cables are used on **ALL** arm assemblies.

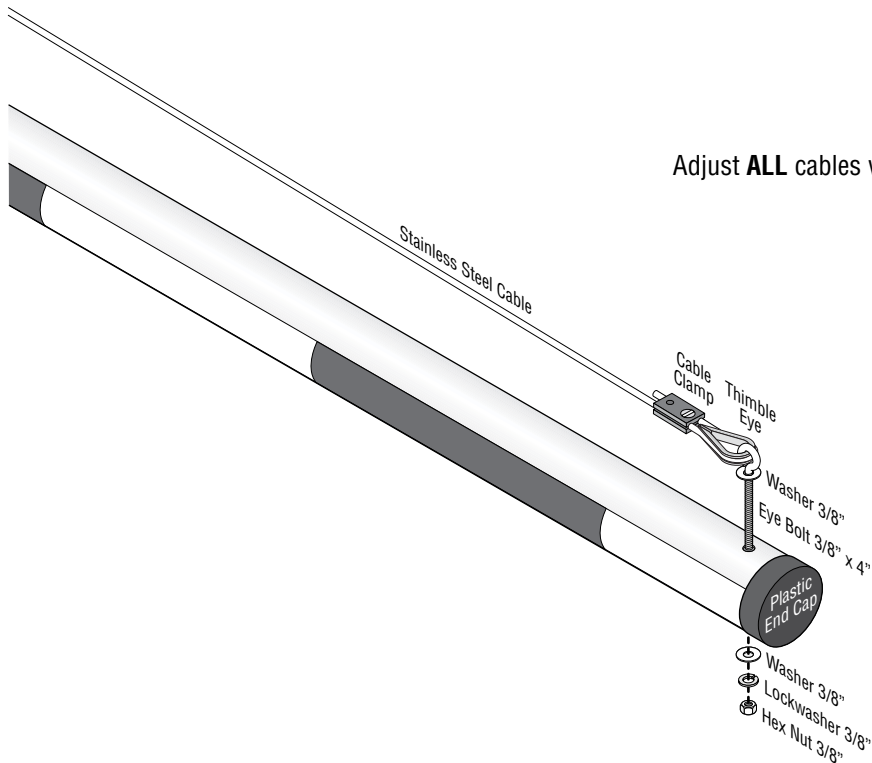


End of Arm Steel Cable Note:
 This End of Arm Assembly steel cable is **ONLY** used on the 27 ft arm.

Support arms during assembly.

End of Arm Assembly

The End of Arm Assembly steel cable is **ONLY** used on the 27 ft arm.
 The 20 ft and 24 ft arms **DO NOT** need this steel cable.



Adjust **ALL** cables with turnbuckles to make the arms level.