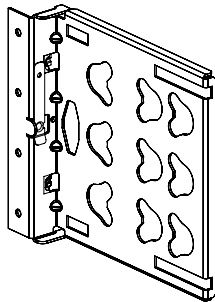
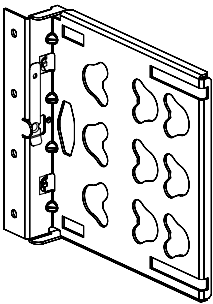


#### Tool List

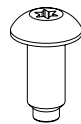


T25 Torx driver

#### Components Included



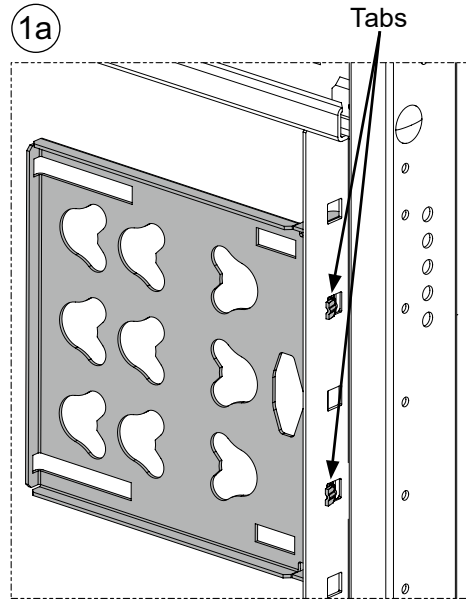
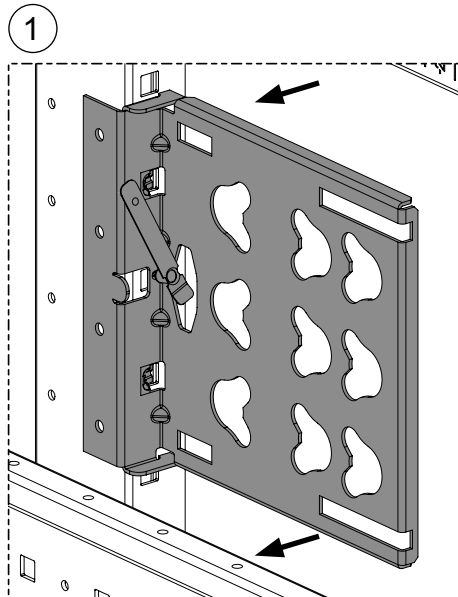
PDU BRACKET  
Qty:(2)



M5x0.8 x 12mm  
Button Head Screw  
Qty: 02

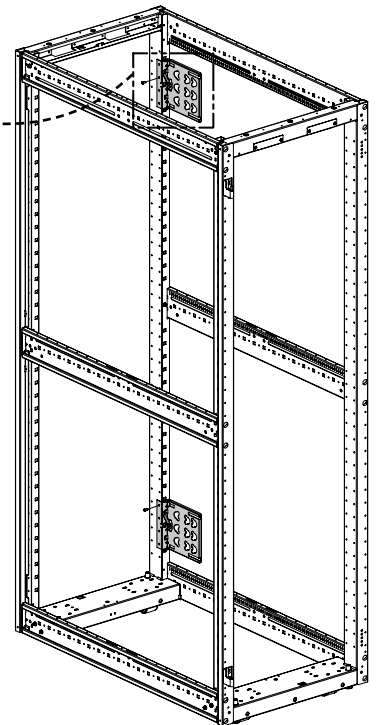
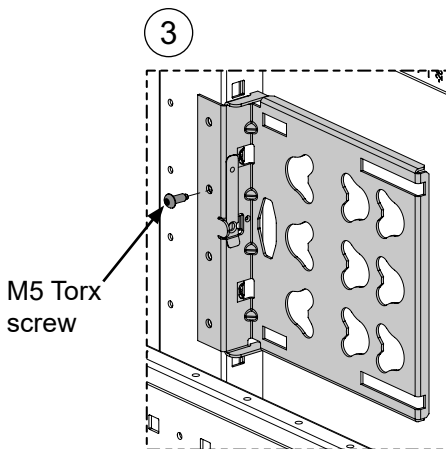
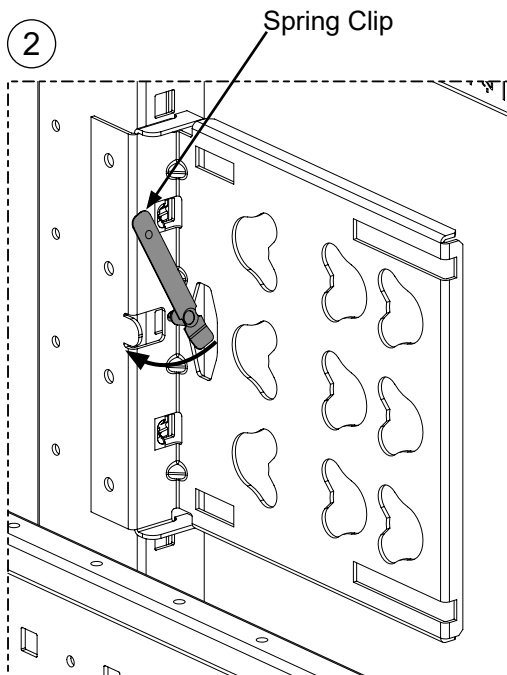
## PDU Bracket Installation

- Orient Top PDU bracket on cabinet post at desired position and slide PDU Bracket tabs on cabinet post as shown in Step 1
- Engage spring clip as shown in Step 2
- Fasten to cabinet by using [1] M5 Torx screws as shown in Step 3
- Repeat Steps 1 through 3 for additional PDU Brackets



**Backside View**

PDU Bracket Tabs engage the cage nut holes on vertical post of cabinet frame



**Maximum Applied Load PDU Brackets is 70 lbs**

For Instructions in Local Languages  
and Technical Support:

[www.panduit.com/resources/install\\_maintain.asp](http://www.panduit.com/resources/install_maintain.asp)

**PANDUIT**

[www.panduit.com](http://www.panduit.com)

E-mail:  
[techsupport@panduit.com](mailto:techsupport@panduit.com)

Phone:  
866-405-6654