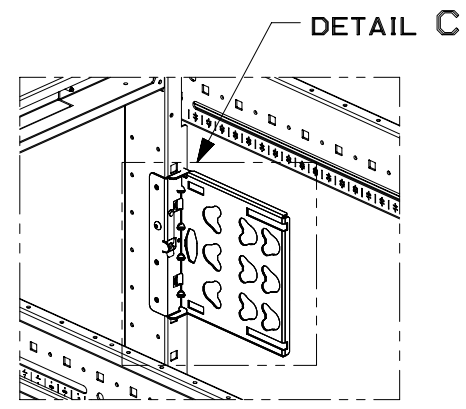
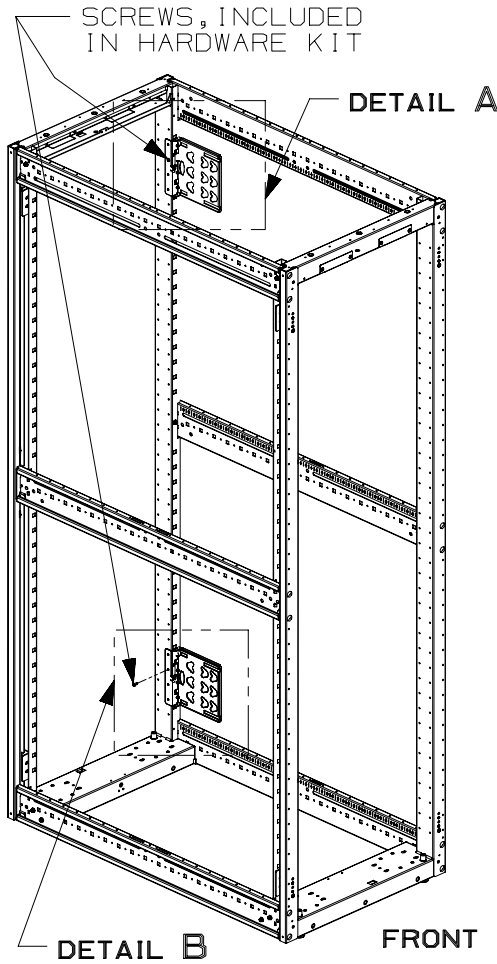
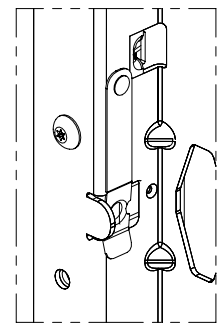


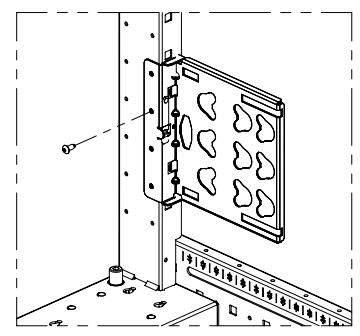
THIS COPY IS PROVIDED ON A RESTRICTED BASIS AND IS NOT TO BE USED IN ANY WAY DETRIMENTAL TO THE INTERESTS OF PANDUIT CORP.



DETAIL A  
INSTALLED



SNAP BUTTON  
DETAIL

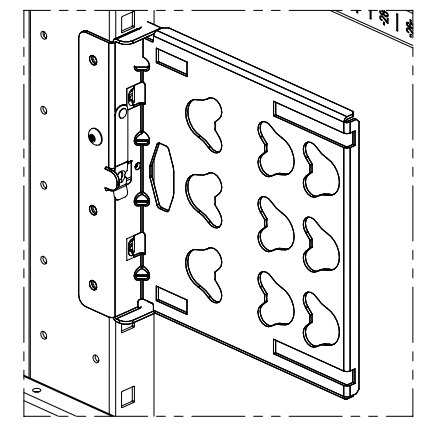


DETAIL B

SHOWN IN DETAIL B:

- BUTTON HEAD SCREW (INCLUDED IN HARDWARE KIT)
- PDU MOUNTING BRACKET

PDU MOUNTING BRACKET CAN BE ADJUSTED VERTICALLY ALONG CABINET PER RACK SPACE



DETAIL C

NOTES:

1. VISIT OUR ON-LINE CATALOG AT WWW.PANDUIT.COM FOR A LIST OF CURRENT PARTS APPLICABLE FOR USE WITH THIS PRODUCT.
2. PRIMARY DIMENSIONS ARE IN MILLIMETERS (mm).
3. PARTS SUPPLIED:  
 (2) - PDU BRACKETS  
 (1) - HARDWARE KIT  
 (1) - INSTRUCTION SHEET (NOT SHOWN)

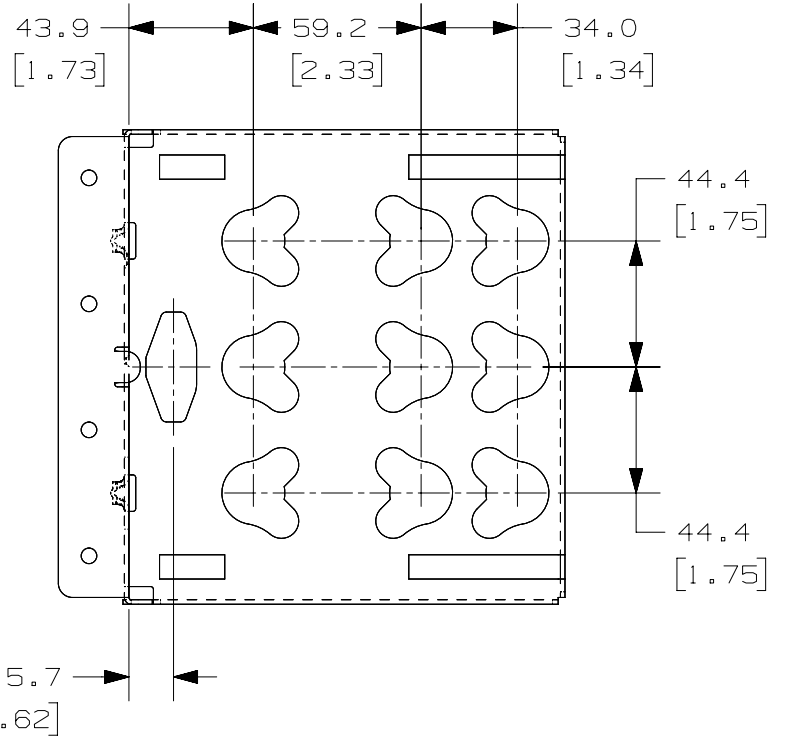
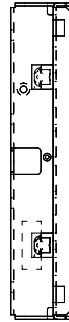
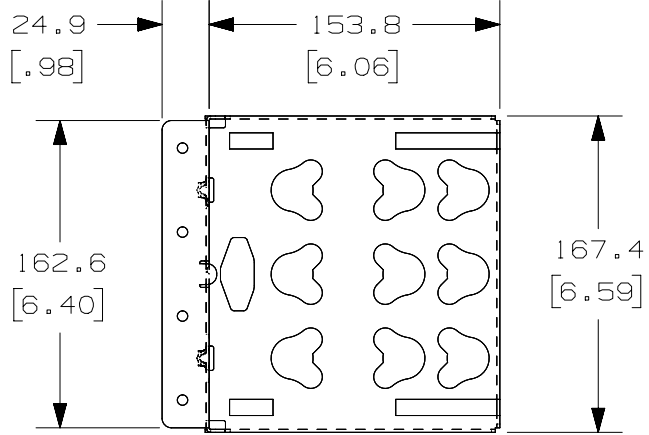
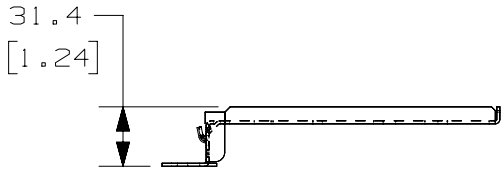
PANDUIT P/N	WEIGHT
XG-PBRB	1.14 Kg 2.50 LBS
XG-PBRW	1.14 Kg 2.50 LBS



REV	DATE	BY	CHK	APR	DESCRIPTION	ECN
06A	6/2/21	MEX-JAGC	FWI	ELE	VIEWS UPDATED, PDU GEOMETRY CHANGE	V09002ET/07
05A	3/30/21	MEX-JAGC	FWI	ELE	NOTES UPDATED, SCREWS MOVED TO HARDWARE KIT	V09002ET/06
04A	2/19/21	LEE	FWI	ELE	DRAWING RELEASE	V09002ET/05

TITLE		FLEXFUSION PDU BRACKET-EASY INSTALL (XG-PBRB & XG-PBRW)	
ITEM REVISION NAME		CUSTOMER DRAWING	
DATASET FILE NAME		00463NDM/06	<b>PANDUIT</b>
		00463NDM_DC/06A	
MATERIAL:		N/A	
DRAWING NUMBER:		00463NDM-DC	
DRAWN BY	DATE	CHK	SCALE
LEE	2/19/21	FWI	NONE
THIRD ANGLE PROJECTION		SHT 1 OF 2	
REV		SIZE	
A		A	

THIS COPY IS PROVIDED ON A RESTRICTED BASIS AND IS NOT TO BE USED IN ANY WAY DETRIMENTAL TO THE INTERESTS OF PANDUIT CORP.



REV	DATE	BY	CHK	APR	DESCRIPTION	ECN
06A	6/2/21	MEX-JAGC	FWI	ELE	SEE SHEET 1 FOR REVISIONS	V09002ET/07
05A	3/30/21	MEX-JAGC	FWI	ELE	SEE SHEET 1 FOR REVISIONS	V09002ET/06
04A	2/19/21	LEE	FWI	ELE	DRAWING RELEASE	V09002ET/05

TITLE <b>FLEXFUSION PDU BRACKET-EASY INSTALL (XG-PBRB &amp; XG-PBRW)</b>			
CUSTOMER DRAWING			
ITEM REVISION NAME <b>00463NDM/06</b>		<b>PANDUIT</b>	
DATASET FILE NAME <b>00463NDM_DC/06A</b>			
DRAWN BY <b>LEE</b>		MATERIAL: <b>N/A</b>	
DATE <b>2/19/21</b>		DRAWING NUMBER: <b>00463NDM-DC</b>	
CHK <b>FWI</b>		THIRD ANGLE PROJECTION	
SCALE <b>NONE</b>		SHT 2 OF 2	
SIZE <b>A</b>			

DI10100DA/20