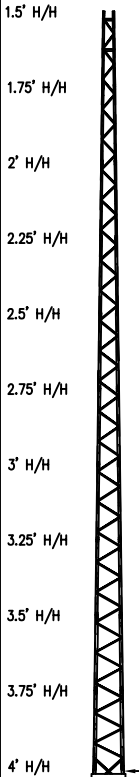
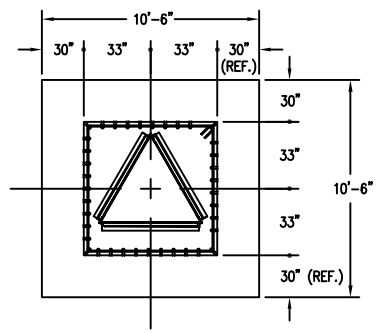


100FT H310 SUPERTITAN TOWER

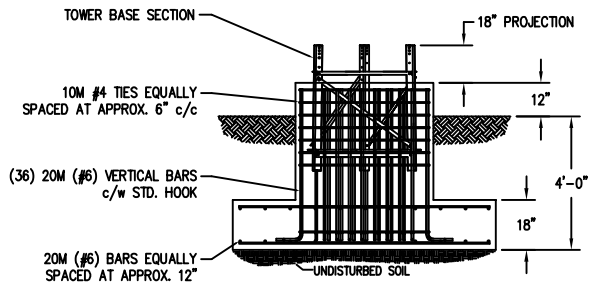


TOP SECTION #3	MAXIMUM ALLOWABLE ANTENNA AREA - PER TIA/EIA 222 REV. F					
U S A	WIND VELOCITY RATINGS					
	NO ICE (ROUND/FLAT)			1/2" ICE (ROUND/FLAT)		
	70 mph	90 mph	100 mph	70 mph	90 mph	100 mph
SECTION #4	32/22	5/3	--/--	30/21	--/--	--/--
SECTION #5	FOUNDATION LOADS: MAX. OVERTURNING MOMENT (K*FT) = MAX. SHEAR (kips) = MAX. AXIAL (kips) =					
SECTION #6	MAXIMUM ALLOWABLE ANTENNA AREA - PER TIA/EIA 222 REV. G, CLASS 1 (NO ICE)					
U S A	WIND VELOCITY RATINGS					
	90 mph 3sg	110mph 3sg	120 mph 3sg	3sg = 3 SECOND GUST WINDSPEED		
	75 mph FM	90 mph FM	100 mph FM	FM = FASTEST MILE WINDSPEED		
SECTION #8	ROUND	FLAT	ROUND	FLAT	ROUND	FLAT
	--	--	--	--	--	--



CUBIC YARDS OF CONCRETE		
PAD CONC VOL.	PIER CONC VOL.	TOTAL VOL.
6.1	3.9	10.0

FOUNDATION DESIGN (NORMAL DRY SOIL)
DESIGN ASSUMES THAT FROST DEPTH IS LESS THAN 4'-0"



REV.	BY:	CHK:	DESCRIPTION	DATE

REFERENCE DRAWINGS:	
DRAWING NUMBER	DRAWING NUMBER

CONFIDENTIAL: ALL INTELLECTUAL PROPERTY RIGHTS HEREIN ARE THE PROPERTY OF TRYLON INC. ALL DUPLICATION, RECORDING, DISCLOSURE OR USE IS PROHIBITED WITHOUT WRITTEN CONSENT OF TRYLON INC.

Trylon

DRAWING NO. 000001.620.0422

CUSTOMER: SITE: SCALE: 155

DATE: 13 APR 07 BY: CHK: APP:

TITLE: 100FT H310 SUPERTITAN PROFILE

- NOTES: 1) KNOCK-DOWN PART NUMBER 5.94.H310.100.
2) PRE-ASSEMBLED PART NUMBER: 5.95.H310.100.
3) ANTENNA LOADS ARE CENTRALLY LOCATED AND BALANCED, 3-FT OR LESS ABOVE THE TOWER TOP.
4) WIND LOADING ASSUMES (1) 1/2" TRANSMISSION LINE PER 10 SQ.FT. OF ROUND MEMBER ANTENNA AREA.