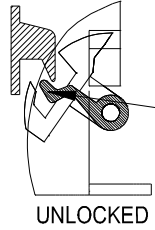
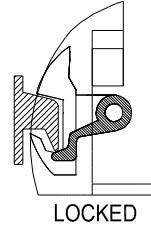


# (L) 1200 (A,D,C,F) SERIES EXIT DEVICES INSTALLATION INSTRUCTIONS

## PATENTED LATCH AND STRIKE



The device will only lock when the strike enters into the latch and depresses the brass colored Latch Guard. Depressing the Push Bar will not move or rotate latch.

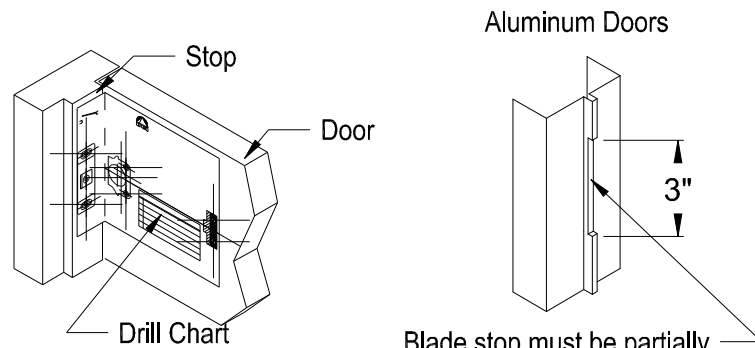


## STEP 1 : PREP DOOR

Tools needed:

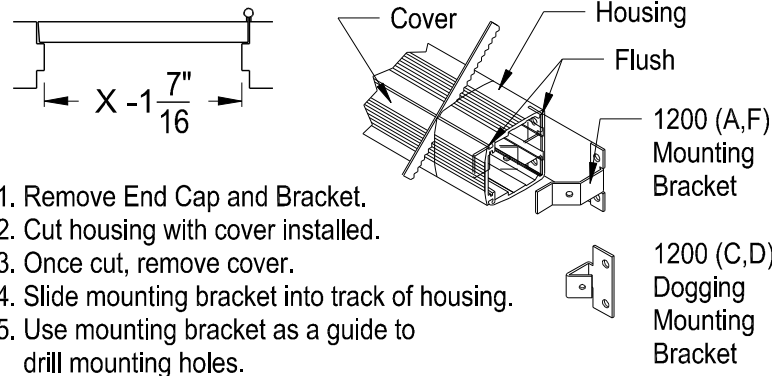
- |                          |                                |
|--------------------------|--------------------------------|
| # 2 Phillips Screwdriver | #16, 1/4", 3/8" Drill Bits     |
| Hammer                   | 1-1/4", 5/8" Drill Bits (Trim) |
| Center Punch             | Level                          |
| Tape                     | Pencil                         |
| Drill                    | Hack Saw ( Field Cutting )     |

1. Devices installed with LTD or 08L Series Trim, use trim template.
2. Fold template at perforation and place at the meeting edges of stop and door face.
3. Tape mounting template to door at a suggested height of 40-5/16" from finish floor level.
4. Drill door and frame mounting holes per drill chart on template.



## FIT DEVICE TO DOOR

Door widths other than 36" or 48", use the simple formula:  
Distance between stops less 1-7/16" = Housing cut length



1. Remove End Cap and Bracket.
2. Cut housing with cover installed.
3. Once cut, remove cover.
4. Slide mounting bracket into track of housing.
5. Use mounting bracket as a guide to drill mounting holes.

## STEP 2 : MOUNT DEVICE AND STRIKE

1. Mark and drill front "A" & "B" Mounting Holes.

2. Remove Nose Piece Screws. Slide back Housing Extrusion to expose mounting holes.

3. Install front end of the device as shown using sex nuts and screws. Mounting Tip: Remove Push Bar End Caps and slide back Push Bar extrusion to expose the front mounting holes.

4. Level the device on the door and mark location of rear mounting holes and drill holes.

5. Install Housing End Bracket and rear mounting screws with sex nuts.

- 5A. 1200F fired rated device requires additional screws, see inset and install screws as shown in drawing.

6. Install Nose Piece screws. See 2

7. Electrical Options:  
Drill a 1/2" hole through housing extrusion and door. Fish wires through and mount door loop.

8. Slide extrusion cover into housing and install Housing Rear End Cap with screw.

## STEP 3 : SECURE STRIKE

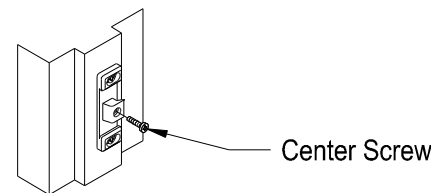
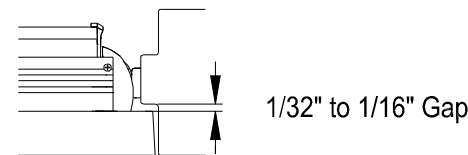
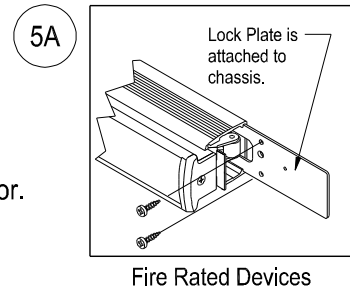
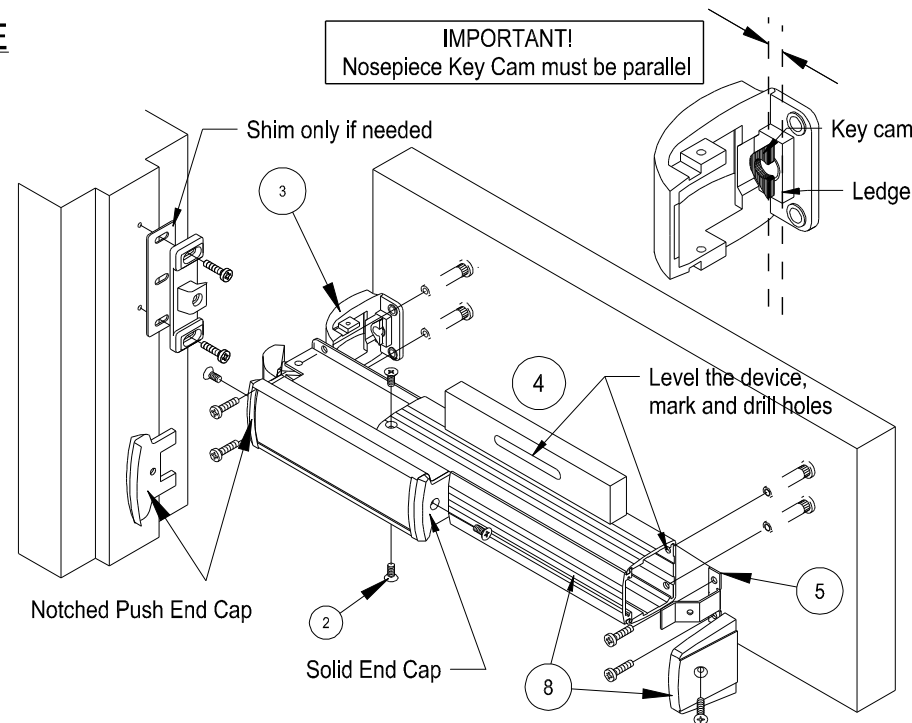
1. Using "A" Mounting Holes, mount Strike with 12-24 MS as shown in above drawing. Do not tighten screws.

2. Adjust Strike to allow a 1/32" to 1/16" gap between door face and the edge of stop. Tighten screws.

3. Test device operation. Strike may need further adjustment due to door conditions, and or weatherstripping.

4. Drill and tap "E" center Mounting Hole.

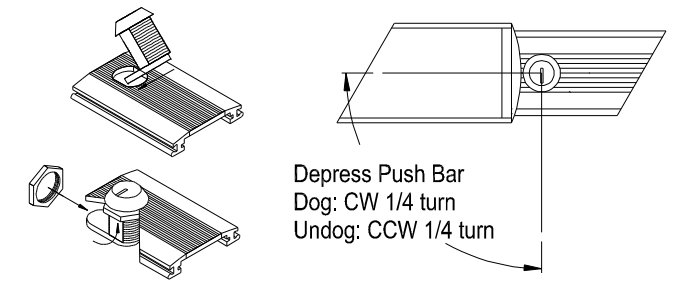
5. Install 12-24 MS in center of Strike.



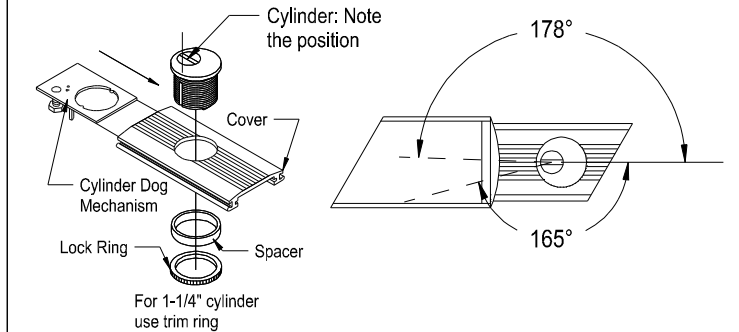
WARRANTY IS VOID IF CENTER SCREW IS NOT INSTALLED.

## OPTIONS

### (L)1200D CABINET LOCK DOG - Non-Fire Rated Devices



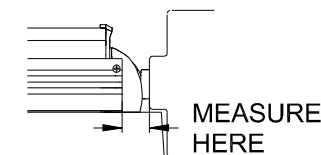
### (L)1200C CYLINDER DOG - Non-Fire Rated Devices



## TROUBLESHOOTING TIPS

Q. Device does not lock.

- A. ◦ The strike may not be adjusted properly. See Step 3.
- The Housing Extrusion must be 1-3/16" from edge of stop. A shim may be required.



- 1-3/16" = No Shim  
1-1/4" = 1 Shim  
1-5/16" = 2 Shims

Q. Depressing the Push Bar will not unlock device.

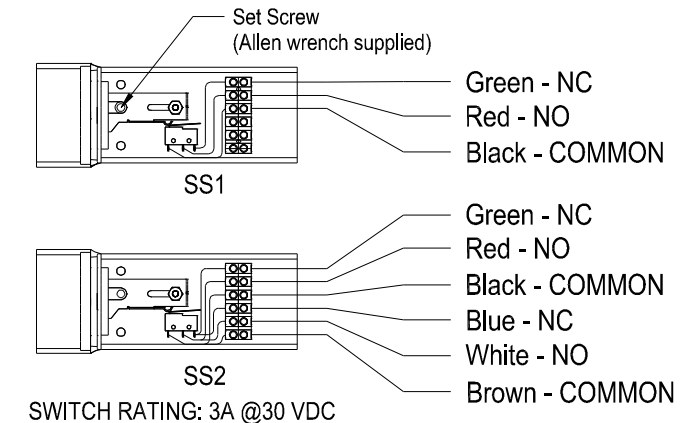
- A. Notched Push Bar End Cap must be installed on the Push Bar end closest to latch.

Q. Outside key control will not unlock device.

- A. ◦ Nosepiece Key Cam must be parallel to ledge. See drawing.
- Tailpiece of the rim cylinder must be in the vertical position.

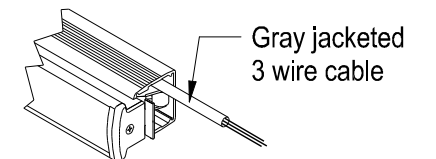
## SS1 & SS2 SIGNAL SWITCH WIRING INFO

Install the SS1/SS2 by sliding into grooves of housing extrusion until it comes in contact with the 1200 chassis. Secure by tightening set screw in post with wrench supplied.



## LMS WIRING INFO (Lock Monitor Switch)

- Green - NC  
Red - NO  
Black - COMMON



LMS is NORMAL when device is locked.



05/06/06

©2006 RUTHERFORD CONTROLS INT'L CORP.  
PHONE • 1.800.265.6630 • 519.621.7651 • FAX: 1.800.482.9795 • 519.621.7939  
E-MAIL: SALES@RUTHERFORDCONTROLS.COM • WWW.RUTHERFORDCONTROLS.COM