



BACK-UP ALARMS

WARNING ALARMS

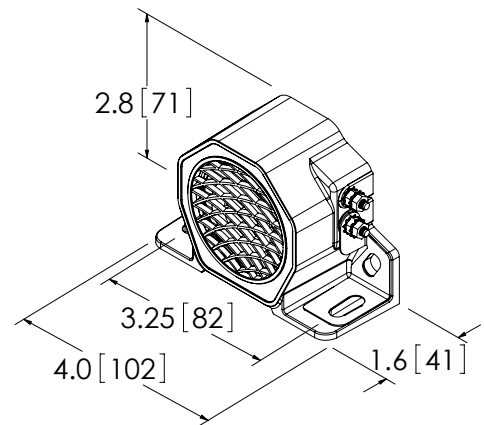
Surface Mount

ECCO's range of warning alarms offer a wide variety of warning sounds, including, constant tone, forward horn, dual tone and dual function. Ask your local representative for any supporting documents and certifications.

Models

PART NO.	CERTIFICATIONS	VOLTAGE	dB(A)	AMPS
CT530-2LDW	CE, UL, R10, IP64	12-24	102	0.5
Constant tone alarm provides a constant 102 decibel warning in a compact housing with an 18" lead wire connection.				
FH575	SAE Type L, CE, UL, R10	12	107	0.5
FH577	CE, UL, R10	24-48	107	1.2
Specifically designed for use on SCR controlled electric vehicles or heavy vibration IC vehicles.				
DT500	CE, R10, IP65	12-24	97	0.5
DT500FP-LWC	CE, UL, R10, IP64	12-24	102 Fast Pulse	0.9
Cost effective dual tone warning in a compact housing. Not intended for use as a back-up alarm.				
DF532	CE, R10, IP64	12-24	102 back-up 102 dual tone	0.3

Constant tone alarm provides a constant 102 decibel warning in a compact housing with an 18" lead wire connection.



Features and Benefits

- Sealed in epoxy for protection against dust, moisture and vibration
- Offers a wide variety of warning sounds
- 2 bolt mount
- Temperature range: -40°F to +185°F (-40°C to +85°C)
- Warranty: 2 Years