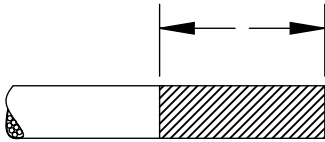
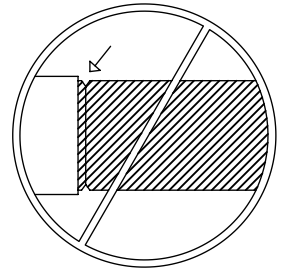
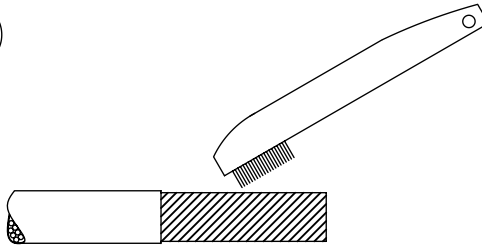




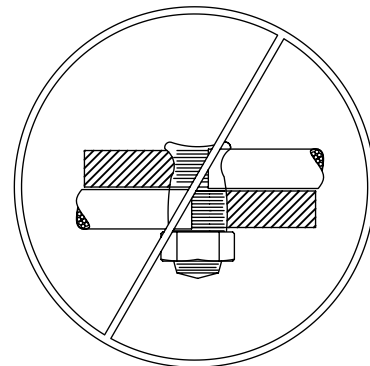
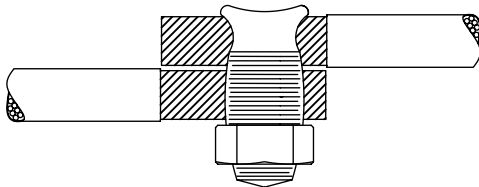
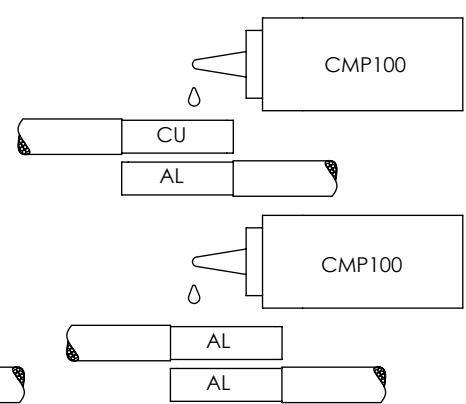
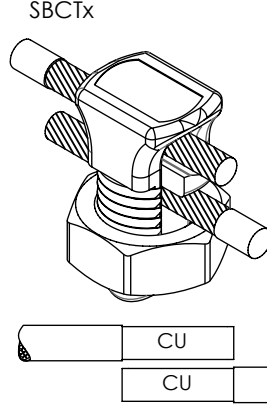
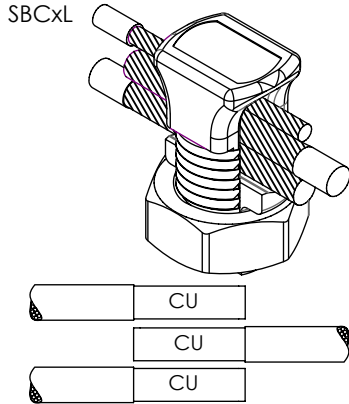
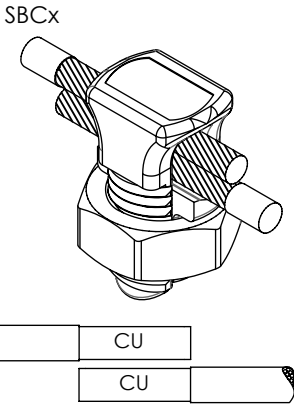
1



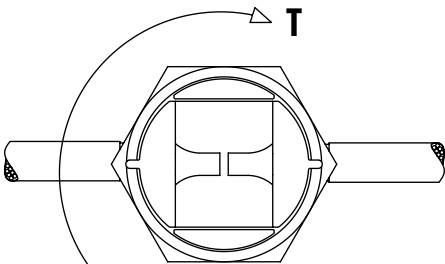
2



3



4



BOTTOM VIEW SHOWN

### PART NUMBERS

- |          |         |         |
|----------|---------|---------|
| SBC8     | SBC3/0  | SBCT2/0 |
| SBC6S    | SBC250  | SBCT3/0 |
| SBC6SL** | SBC350  | SBCT250 |
| SBC4S    | SBC500  | SBCT350 |
| SBC4SL** | SBCT8   | SBCT500 |
| SBC3     | SBCT6   |         |
| SBC2     | SBCT3   |         |
| SBC1/0   | SBCT2   |         |
| SBC2/0   | SBCT1/0 |         |

NOTE:  
SBCT8 THRU SBCT2/0 ARE  
UL LISTED FOR USE WITH BOTH  
ALUMINUM AND COPPER CONDUCTORS

NOTE:  
SBCT3/0 AND LARGER ARE  
UL LISTED FOR USE WITH COPPER CONDUCTORS  
THEY CAN STILL BE USED ON ALUMINUM CONDUCTORS,  
HOWEVER THEY ARE NOT UL LISTED FOR THAT APPLICATION

\*\* DB  $\perp$   
RATED



\*\* DB  $\perp$   
RATED

### PART NUMBERS

- |           |          |
|-----------|----------|
| SBC8L**   | SBCT10   |
| SBC2L**   | SBCT750  |
| SBC750**  | SBCT1000 |
| SBC1000** |          |

NOTE:  
CAN BE USED ON ALUMINUM CONDUCTOR,  
HOWEVER THEY ARE NOT UL LISTED FOR  
THAT APPLICATION

NOTE:  
OVER 500 kcmil NOT UL OR CSA  
LISTED FOR GROUNDING OR BONDING

**TIN PLATED AND COPPER SPLIT BOLTS**

CATALOG NUMBER	COPPER CONDUCTOR		MIN. TAP WITH ONE MAX MAIN (AWG or kcmil)	MAX CONDUCTOR		REQUIRED TORQUE (T) (IN.-LB)
	RANGE OF EQUAL RUN & TAP (AWG or kcmil)			COPPER WELD		
	MIN.	MAX.		STR.	TYPE A	
SBCT10	16 STR	10 STR	16 STR	----	----	80
SBC8	10 SOL	8 STR	16 STR	----	----	80
SBC8L	16 STR	8 STR	16 STR	----	----	80
SBCT8	8 SOL	6 SOL	14 SOL	----	----	165
SBC6S	8 SOL	6 SOL	16 SOL	----	----	165
SBC6SL	8 STR	6 SOL	16 STR	----	----	165
SBCT6	8 SOL	6 STR	10 STR	----	----	165
SBC4S	8 SOL	6 STR	14 STR	----	----	165
SBC4SL	8 STR	6 STR	14 STR	----	----	165
SBC3	8 SOL	4 STR	14 STR	----	----	275
SBCT3	8 SOL	4 STR	10 STR	----	----	275
SBC2	6 SOL	2 STR	14 STR	----	----	275
SBC2L	6 SOL	2 STR	14 STR	3 No. 7	3A	275
SBCT2	6 SOL	2 STR	14 STR	----	----	275
SBC1/0	4 SOL	1/0 STR	14 STR	----	----	385
SBCT1/0	4 SOL	1/0 STR	10 STR	----	----	385
SBC2/0	2 SOL	2/0 STR	14 STR	----	----	385
SBCT2/0	2 SOL	2/0 STR	8 STR	----	----	385
SBC3/0	1 SOL	3/0 STR	8 STR	----	----	500
SBCT3/0	1 SOL	3/0 STR	8 STR	----	----	500
SBC250	1 SOL	250 STR	8 STR	----	----	650
SBCT250	1 SOL	250 STR	8 STR	----	----	650
SBC350	2/0 SOL	350 STR	2/0 SOL	----	----	650
SBCT350	2/0 SOL	350 STR	1/0 STR	----	----	650
SBC500	300 STR	500 STR	2/0 STR	----	----	825
SBCT500	300 STR	500 STR	2/0 STR	----	----	825
SBC750	350 STR	750 STR	8 SOL	19 No. 5	----	1000
SBCT750	250 STR	750 STR	2/0 STR	19 No. 5	----	1000
SBC1000	500 STR	1000 STR	8 SOL	----	----	1100
SBCT1000	350 STR	1000 STR	4/0 STR	----	----	1100

For Instructions in Local Languages and Technical Support:

[www.panduit.com/resources/install\\_maintain.asp](http://www.panduit.com/resources/install_maintain.asp)



[www.panduit.com](http://www.panduit.com)

E-mail: [cs@panduit.com](mailto:cs@panduit.com)

Fax: 708-444-6993