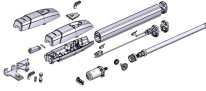
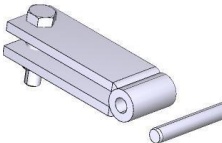
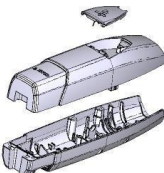
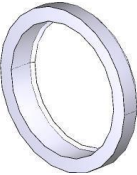

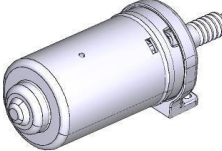
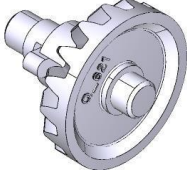
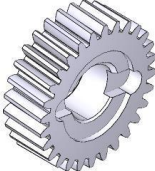
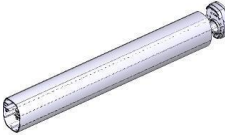

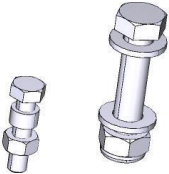
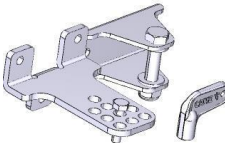
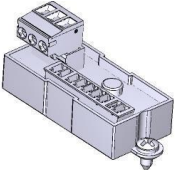

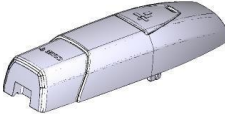



Lev	Parent code	Code	Qty	Description	Preview
0		ATS50DGS	1		
1	ATS50DGS	119RID098	1	ATI AXO KRONO ATS TAIL JOINT	
1	ATS50DGS	88001-0225	1	ATS30-50 REAR CAST UNIT	
1	ATS50DGS	88001-0226	1	ATS30-50 SCRAPER RING 5pcs	
1	ATS50DGS	88001-0228	1	ATS50 REDUCTION STEM UNIT	
1	ATS50DGS	88001-0230	1	24V ATS30-50 MOTOR ASSEMBLY	
1	ATS50DGS	88001-0231	1	ATS30-50 HELICAL CROWN GEAR ASSEMBLY	
1	ATS50DGS	88001-0232	1	ATS30-50 REDUCER PINION	

<i>Lev</i>	<i>Parent code</i>	<i>Code</i>	<i>Qty</i>	<i>Description</i>	<i>Preview</i>
1	ATS50DGS	88001-0234	1	ATS50 FIXED PROFILE WITH CAP	
1	ATS50DGS	88001-0236	1	ATS50 LIMIT SWITCH ASSEMBLY	
1	ATS50DGS	88001-0237	1	ATS30-50 BAG OF SCREWS	
1	ATS50DGS	88001-0238	1	ATS30-50 ACCESSORIES BOX	
1	ATS50DGS	88001-0239	1	ATS 24V ENCODER BOARD	
1	ATS50DGS	88001-0240	1	ATS30-50 RELEASE KEY 5pcs	
1	ATS50DGS	88001-0259	1	ATS30-50 COVER ASSEMBLY	
1	ATS50DGS	88001-0320	1	TAPPO REGOLAZIONE FINECORSA ATS 2PZ	

**CAME S.p.A.**

Sede Legale:  
Via Martiri della Libertà 15  
31030 Dosson di Casier (TV) - Italy  
T +39 0422 49 40 - F +39 0422 49 41  
came@pec.came.com

Unità locale:  
Piazza S. Freud 1  
20154 Milano (MI) - Italy  
T +39 0422 49 44 00  
info@came.com 2 / 3

Cap. Soc. I.V. € 1.610.000,00  
Cod. Fisc. / P. IVA 03481280265  
VAT IT 03481280265 - REA TV 275359  
Reg. Imp. TV 03481280265  
[www.came.com](http://www.came.com)

## Disclaimer

---

***The results obtained by this simulation system (hereinafter "Content") are for your reference only and do not represent in any way an offer or sale commitment by CAME S.p.A and/or CAME UK. The proprietor of the Content is CAME S.p.A, unless otherwise indicated, and the content is copyrighted and covered by the legislation on industrial property. The user is not granted any license or right to use and is therefore not allowed to register the Content - in whole or in part - on any type of media, or to copy, publish, broadcast or use it for commercial purposes without prior written permission of CAME S.p.A. It is nonetheless possible to make a copy for personal use only. In any case CAME S.p.A. and CAME UK don't assume and hereby disclaims any and all liability for any errors, inaccuracies, omissions and deficiencies found within the Content.***

**CAME S.p.A.**

**Sede Legale:**

Via Martiri della Libertà 15  
31030 Dosson di Casier (TV) - Italy  
**T** +39 0422 49 40 - **F** +39 0422 49 41  
[came@pec.came.com](mailto:came@pec.came.com)

**Unità locale:**

Piazza S. Freud 1  
20154 Milano (MI) - Italy  
**T** +39 0422 49 44 00  
[info@came.com](mailto:info@came.com) 3 / 3

Cap. Soc. I.V. € 1.610.000,00  
Cod. Fisc. / P. IVA 03481280265  
VAT IT 03481280265 - REA TV 275359  
Reg. Imp. TV 03481280265  
[www.came.com](http://www.came.com)