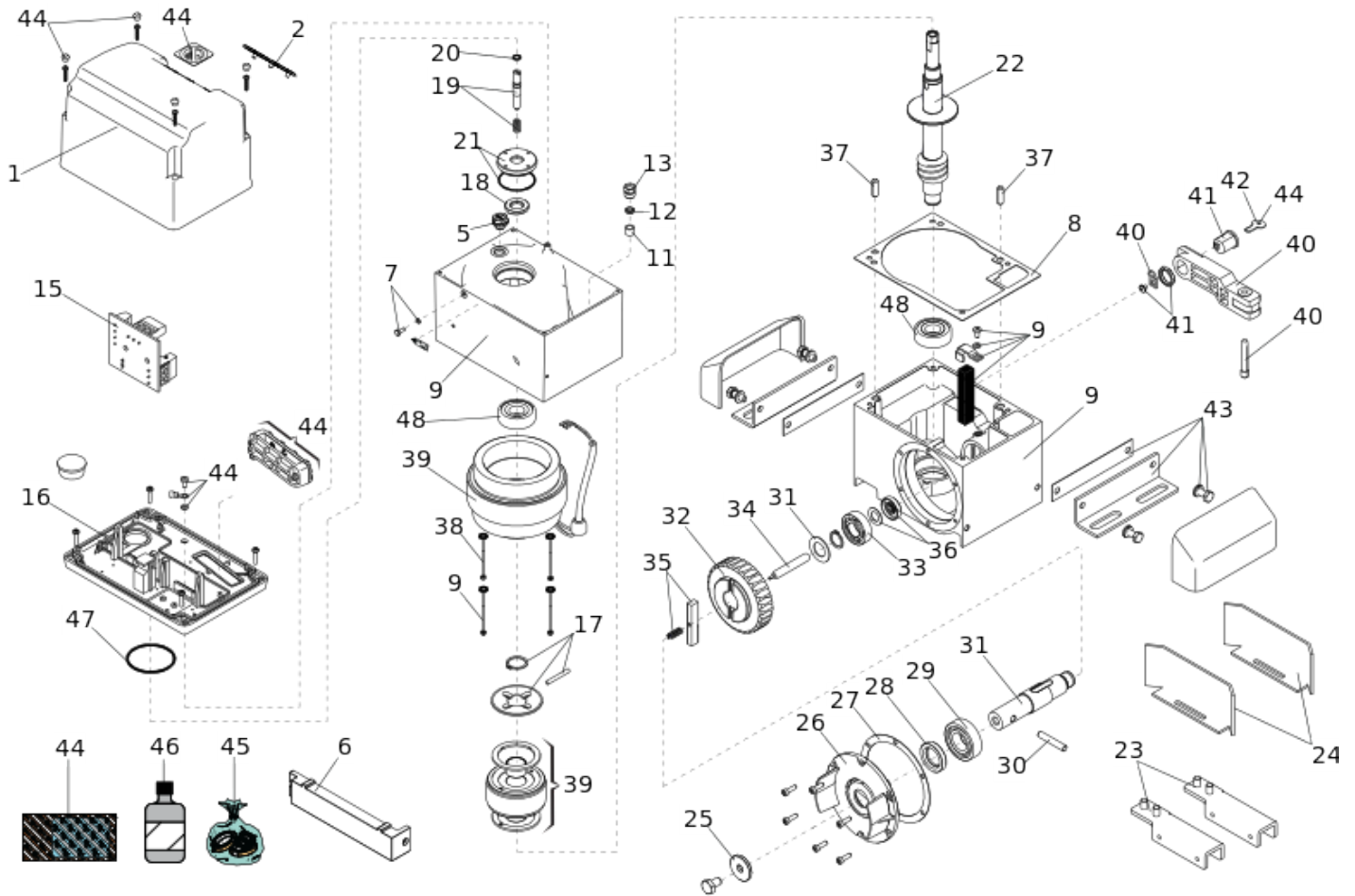


844 R 3PH 220V



| Pos. | Code | EAN | Quantity | Replacement code | Description | Salable |
|------|----------|---------------|----------|------------------|---|---------|
| 1 | 7273425 | 8055195024814 | 1 | | 844 RESTYLING OPERATOR CAP | yes |
| 2 | 7324745 | 8055195025187 | 1 | | 2003 FAAC LOGO | yes |
| 5 | 7110015 | 8055195022995 | 1 | | CAP | yes |
| 6 | 40985115 | 8055195027990 | 1 | | SL.G.O.746R INDUCT.STROKE END UNIT GREY | yes |
| 7 | 390516 | 8055195007169 | 1 | | BREATHER CAP | yes |
| 8 | 7099645 | 8055195022902 | 1 | | GASKET 844 | yes |
| 9 | 63001606 | 8055195061031 | 1 | | 746/844 BODIES GROUP (2020) | yes |
| 10 | 7029175 | 8055195022056 | 1 | 63001613 | STATOR NUT / EARTH | no |
| 11 | 7099245 | 8055195022841 | 1 | | STRAIN RELIEF GASKET | yes |

| Pos. | Code | EAN | Quantity | Replacement code | Description | Salable |
|------|------------|---------------|----------|------------------|---|---------|
| 12 | 7043355 | 8055195022131 | 1 | | CABLE GLAND RING | yes |
| 13 | 7109095 | 8055195022957 | 1 | | CABLE GLAND | yes |
| 15 | 63000713 | 8055195060713 | 1 | | 844R/C851 INTERFACE BOARD (2020) | yes |
| 16 | 7273405 | 8055195024791 | 1 | | BASE FOR 746/844 R COVER | yes |
| 17 | 63003336 | 8055195057836 | 1 | | 746/844 FRICTION DISK GROUP | yes |
| 18 | 7093105 | 8055195022605 | 1 | | SEAL FOR ROTATING SHAFT A 15304,5 FKM | yes |
| 19 | 63003342 | 8055195057881 | 1 | | 746/844 CLUTCH SPRINGS AND SCREW | yes |
| 20 | 7090300015 | 8055195040234 | 1 | | GASKET OR 7.66X1.78 90 SHORE | yes |
| 21 | 63003230 | 8055195043631 | 1 | | 746/844 ADJUSTING RING+O-RING | yes |
| 22 | 63001609 | 8055195060959 | 1 | | 844 3PH MOTOR SHAFT (2020) | yes |
| 23 | 7223185 | 8055195024234 | 2 | | MOUNTING BRACKET | yes |
| 24 | 7280675 | 8055195024890 | 2 | | 1 SLOT LIMIT SWITCH PLATE | yes |
| 25 | 7030185 | 8055195022063 | 1 | | WASHER 10,5X35X4 CAT.A Z | yes |
| 26 | 71708215 | 8055195034523 | 1 | | FLANGE F/CHAIN MOT.746/844 | yes |
| 27 | 7094085 | 8055195022674 | 1 | | GASKET LATERAL FLANGE 820-860 | yes |
| 28 | 7093005 | 8055195022575 | 1 | | SEAL FOR ROTATING SHAFT A 25407 FKM | yes |
| 29 | 7070111 | | 1 | | BEARING 6205 (25x52x15) V2 | no |

| Pos. | Code | EAN | Quantity | Replacement code | Description | Salable |
|------|------------|---------------|----------|------------------|--|---------|
| 30 | 7061115 | 8055195022247 | 1 | | PIN 8X45 RIC.UNI EN22338 | yes |
| 31 | 7180785 | 8055195023480 | 1 | | QUITE TREE 746-844 | yes |
| 32 | 7192575 | 8055195023725 | 1 | | 844 3PH MOTOR RIM | yes |
| 33 | 7070121 | | 1 | | BEARING 6004 (20x42x12) V2 | no |
| 34 | 7182765 | 8055195023572 | 1 | | UNLOCK PIN 746-844 | yes |
| 35 | 63003337 | 8055195057843 | 1 | | 746/844 KEYWAY KEY AND SPRING GROUP | yes |
| 36 | 7093055 | 8055195022599 | 1 | | SEAL FOR ROTATING SHAFT A 10307 FKM | yes |
| 37 | 7061035 | 8055195022230 | 2 | | PIN 8 X25 H8 UNI EN 22338 | yes |
| 38 | 63001612 | 8055195060980 | 4 | | 844 STATOR SCREWS (M4) | yes |
| 39 | 63003164 | 8055195033823 | 1 | | 844 3PH 230V MOTOR | yes |
| 40 | 63003339 | 8055195057867 | 1 | | 746/844 RELEASE LEVER GROUP | yes |
| 41 | 7120885 | 8055195023183 | 1 | | LOCK ART.3889.3 | yes |
| 42 | 7131005 | 8055195023213 | 1 | | KEY MOD. 3889.0913 | yes |
| 43 | 63003338 | 8055195057850 | 1 | | 746/844 FIXING BRACKETS AND SPACERS GROU | yes |
| 44 | 39057655 | 8055195027778 | 1 | | SKINPACK 746/844 R CAT | yes |
| 45 | 390829 | | 1 | | GASKET KIT 746 '98 MOTOR | no |
| 46 | 714017 | 8055195010923 | 2 | | FAAC HP OIL LT.1 | yes |
| 47 | 7090620025 | 8055195054439 | 1 | | O-RING 2,62X56,82 NB70 | yes |
| 48 | 7070102 | | 2 | | BEARING 6204 2Z (20x47x14) V3 | no |