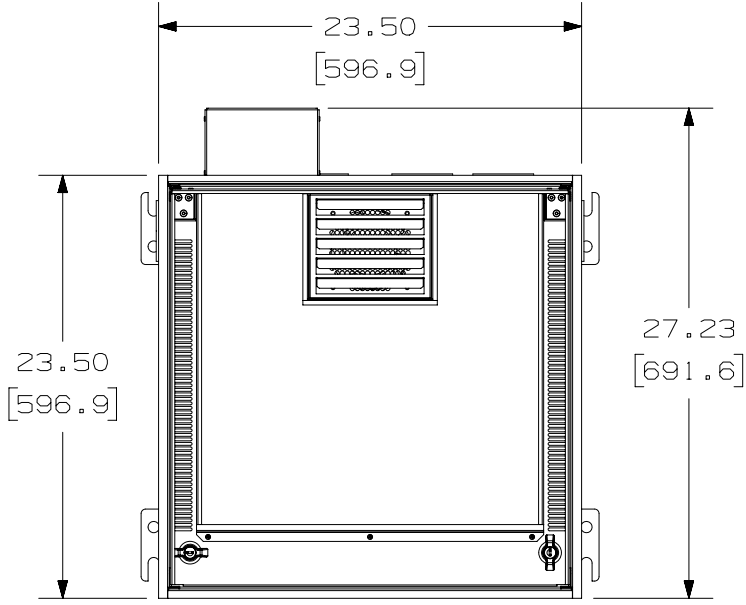


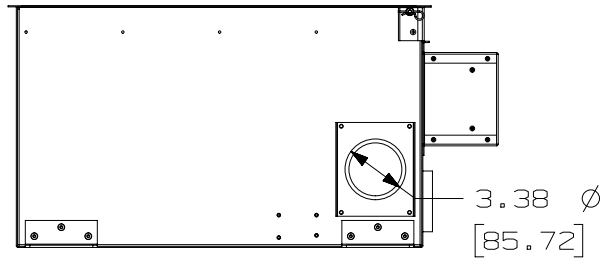
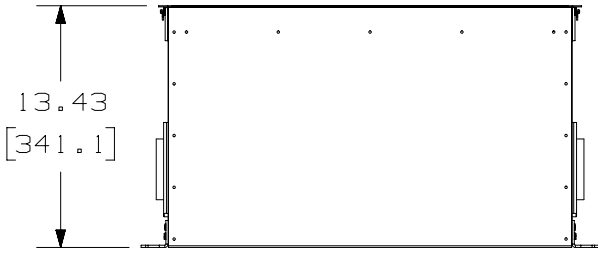
THIS COPY IS PROVIDED ON A RESTRICTED BASIS AND IS NOT TO BE USED IN ANY WAY DETRIMENTAL TO THE INTERESTS OF PANDUIT CORP.



PANDUIT P/N	WEIGHT
PZICEA	35.0 LB/EACH PC (15876 g/EACH PC)

NOTES:

- VISIT OUR ON-LINE CATALOG AT WWW.PANDUIT.COM FOR A LIST OF CURRENT PARTS APPLICABLE FOR USE WITH THIS PRODUCT
- DIMENSIONS IN PARENTHESES ARE METRIC.
- HINGED DOOR WITH INTEGRATED 110V EXHAUST FAN AND GAS ASSIST AIR CYLINDERS FOR RESTRAINING THE LOAD ON THE CEILING DOOR WHEN OPENING.
- INCLUDED IS STANDARD ELECTRICAL JUNCTION BOX AND HARDWARE FOR MOUNTING.
- ACCEPTS UP TO 2 RU OF ACTIVE EQUIPMENT AND UP TO 6 RU OF PASSIVE.
- MOUNTING BRACKETS FOR MOUNTING THE ENCLOSURE.
- INTEGRATED HORIZONTAL SLACK MANAGER FOR MANAGING AND SECURING CABLE BUNDLES TO THE ENCLOSURE.
- TWENTY HOOK AND LOOP TIES FOR BUNDLING CABLES.
- KEYS FOR LOCKING LATCH FOR SECURING THE CEILING DOOR.
- CEILING TILE BRACKETS AND CUTOUT TEMPLATE FOR INSERTING CEILING TILE ON THE ENCLOSURE DOOR.
- DOOR WEIGHT CAPACITY IS 50LBS.
- UL 2043 PLENUM RATED AND UL 1863 RATED.
- SIX SNAP BUSHINGS THAT FIT AROUND SIDE WALL KNOCKOUTS TO PROTECT CABLES FROM SHARP EDGES.

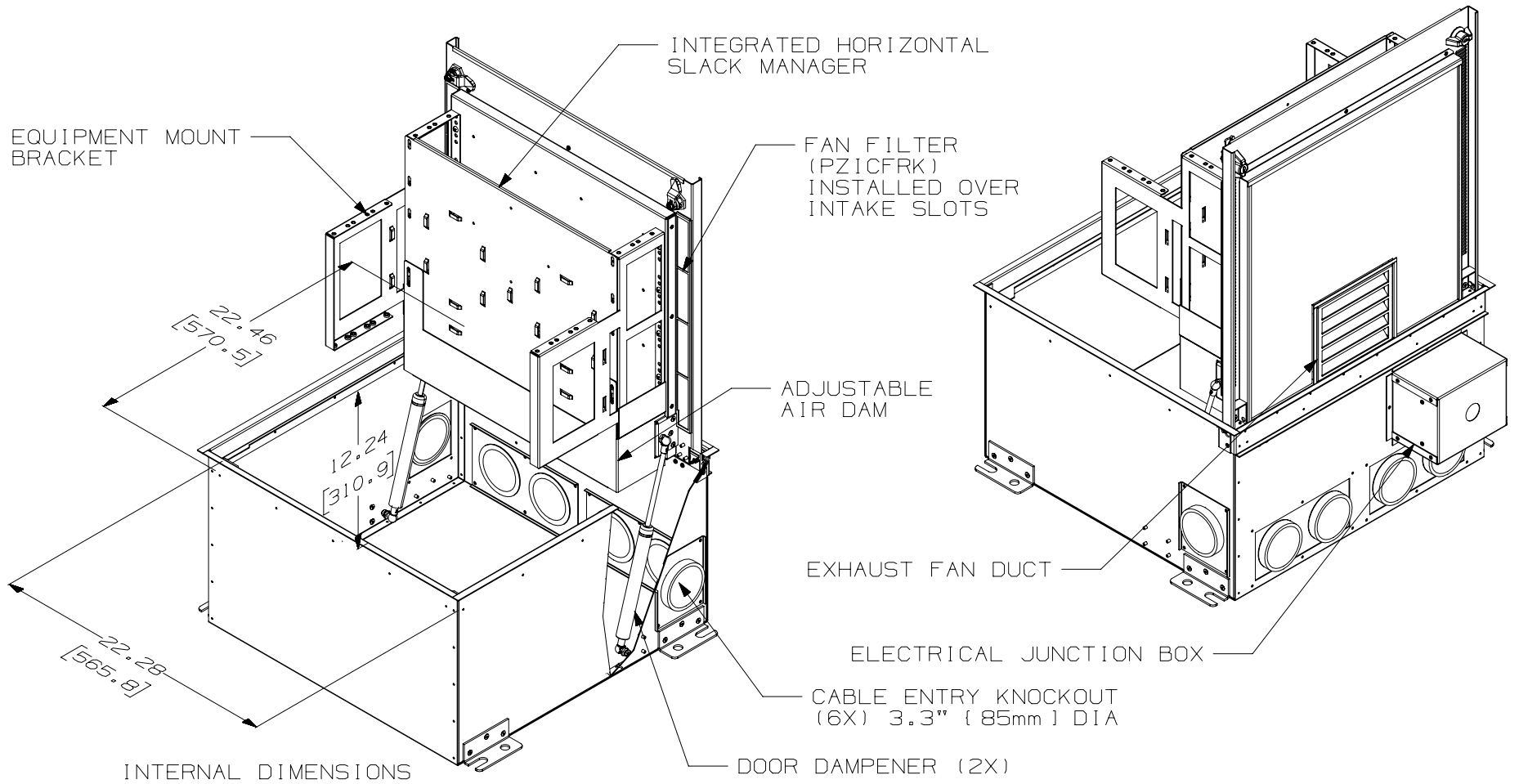


EXTERNAL DIMENSIONS

REV	DATE	BY	CHK	APR	DESCRIPTION	ECN
10A	8-4-15	JKK			UPDATED NOTES, ADDED DIAMETER DIMENSION	
09B	2-23-15	RYB			UPDATED NOTES	M09000AE
00	12-6-07	RYB			RELEASED TO PRODUCTION	10447-44

TITLE ACTIVE 2X2 IN-CEILING ZONE CABLING ENCLOSURE WITH DOOR DAMPENER					
CUSTOMER DRAWING					
ITEM REVISION NAME V10447AA/10			PANDUIT		
DATASET FILE NAME V10447AA_DC-10A					
UNLESS OTHERWISE SPECIFIED, DIMENSIONAL TOLERANCES ARE:			MATERIAL: STEEL		
INCHES	METRIC - MILLIMETER	ANGLE			
X.X +/- 0.03	X.X +/- 0.8				
X.XX +/- 0.018	X.X +/- 0.46	+/- 1°			
X.XXX +/- 0.007	X.XX +/- 0.18				
DRAWN BY RYB		DATE 12/6/07		SCALE 3:32	
DRAWING NUMBER: 10447-44		THIRD ANGLE PROJECTION		SHT 1 OF 3	
				SIZE A	

THIS COPY IS PROVIDED ON A RESTRICTED BASIS AND IS NOT TO BE USED IN ANY WAY DETRIMENTAL TO THE INTERESTS OF PANDUIT CORP.



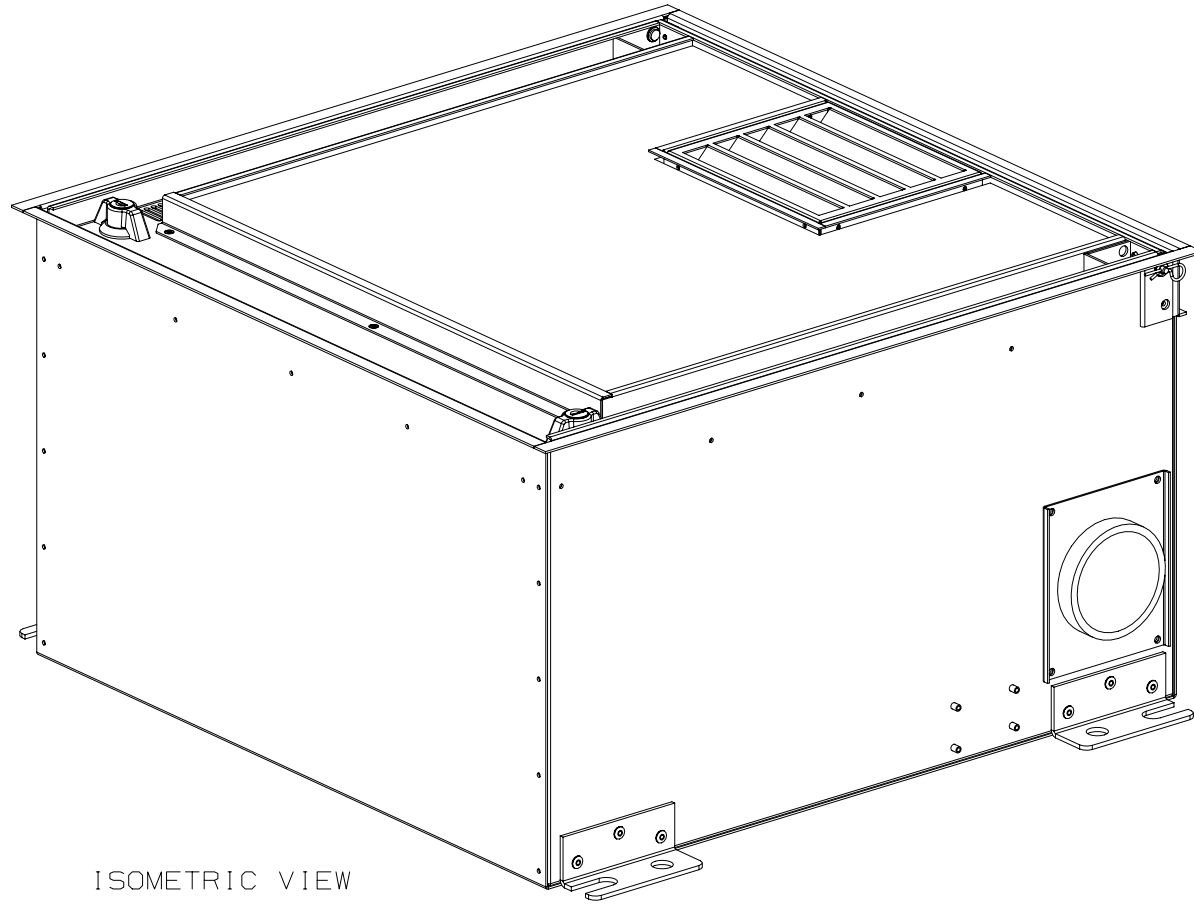
10A	8-4-15	JKK		SEE SHEET 1		10447-44
09B	2-23-15	RYB		SEE SHEET 1		M09000AE
00	12-6-07	RYB		SEE SHEET 1		10447-44
REV	DATE	BY	CHK	APR	DESCRIPTION	ECN

TITLE					
ACTIVE 2X2 IN-CEILING ZONE CABLING ENCLOSURE WITH DOOR DAMPENER					
CONTROL DRAWING					
ITEM REVISION NAME					
V10447AA/10					
DATASET FILE NAME					
V10447AA_DC-10A					
UNLESS OTHERWISE SPECIFIED, DIMENSIONAL TOLERANCES ARE:					
INCHES		METRIC - MILLIMETER		ANGLE	
X.X	+/- 0.03	X.X	+/- 0.8	+/- 1°	
X.XX	+/- 0.018	X.X	+/- 0.46		
X.XXX	+/- 0.007	X.XX	+/- 0.18		
			THIRD ANGLE PROJECTION		
DRAWN BY		DATE	CHK	SCALE	DRAWING NUMBER:
RYB		12/6/07		1:10	10447-44
SHT 2 OF 3					SIZE
					A

2

1

THIS COPY IS PROVIDED ON A RESTRICTED BASIS AND IS NOT TO BE USED IN ANY WAY DETRIMENTAL TO THE INTERESTS OF PANDUIT CORP.



ISOMETRIC VIEW

REV	DATE	BY	CHK	APR	DESCRIPTION	ECN
10A	8-4-15	JKK			SEE SHEET 1	10447-44
09B	2-23-15	RYB			SEE SHEET 1	M09000AE
00	12-6-07	RYB			SEE SHEET 1	10447-44

TITLE				ACTIVE 2X2 IN-CEILING ZONE CABLING ENCLOSURE WITH DOOR DAMPENER			
				CONTROL DRAWING			
ITEM REVISION NAME				V10447AA/10			
DATASET FILE NAME				V10447AA_DC-10A			
UNLESS OTHERWISE SPECIFIED, DIMENSIONAL TOLERANCES ARE:				MATERIAL:			
INCHES		METRIC - MILLIMETER		ANGLE		STEEL	
X.X	+/- 0.03	X.	+/- 0.8				
X.XX	+/- 0.018	X.X	+/- 0.46		+/- 1°		
X.XXX	+/- 0.007	X.XX	+/- 0.18				
				THIRD ANGLE PROJECTION			
DRAWING NUMBER:				10447-44			
DRAWN BY	DATE	CHK	SCALE	SHT 3 OF 3		SIZE	
RYB	12/6/07		3:32			A	