

# Access Control Extension Module DEE1010B

## User's Manual

Version 1.0.1

### 1.2 Typical Networking

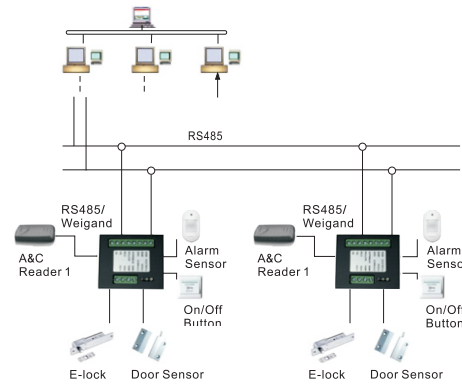


Figure 1-1

## 2 Installation



Figure 2-1

No.	Component Name	Note
1	+12V	Power
2	GND	GND
3	485A	Host 485A
4	485B	Host 485B
5	POWER	Power indicator
6	RUN	Operation
7	UNLOCK	Unlock indicator
8	NC	Lock NO
9	NO	Lock NC
10	COM	Lock public
11	BUTTON	Lock unlock button
12	FEEDBACK	Lock door
13	GND	GND
14	485B	Card reader
15	485A	Card reader

## 1 Product Intro

### 1.1 Product Overview

Access control extension module is suitable for 86-box installation, and this extension module can independently cooperate with access control, video door phone (VDP) and management platform, leading to simple access control extension. This module is communicating with upper level device via RS485 BUS, thus allows access control and card swiping function via card reader. Meanwhile this module has one channel of door sensor input, one channel of exit button input, one channel of alarm input, one channel of door lock control output and etc. Choice of Normally on or normally closed is available.

Access control extension module works together with corresponding management platform to bring about functions to issue card, delete card, open the door remotely and etc. The module uploads information regarding card swiping, access, and alarm to the management center, contributing to real time monitor of the door. Additionally, management center is able to configure access control specifications of the module, and set duration of valid swiping of card, time sync and etc. After releasing card authorization, even without main controller, access by card swiping or open button is still available.

## 3 FAQ

Q: I can't open door after swiping card?

A: You should report to corresponding management center. The issue maybe arises because: (1) Card authorization has expired; (2) Card is not authorized to open this door; or (3) No access allowed during this period.

B: Door sensor is damaged.

C: Card reader has poor contact.

D: Door locker or device is damaged.

Q: The device can't communicate with management center?

A: Check the connection of 485 cable.

Q: I can't open door by pressing open button?

A: Check the connection between the button and the device.

Q: After the door opens, the lock remains unlocked?

A: Check if the door is closed.

B: Check if door sensor is properly connected. If there is no door sensor, please check with management center.

Q: I have other unsure or unsolvable problems, what should I do?

A: Please contact technical support.

Model	DEE1010B
Access Control	
Lock NO Output	Yes
Lock NC Output	Yes
Open Button	Yes
Door Status Detection	Yes
Operating Mode	
Input	Card swiping input ( card reader required ) and unlock button
IC Card	
Card Storage Limit	Max: 5000
Add Card & Delete Card	Yes
Real Time Clock	
Clock Adjustment	Yes
RTC Time	Yes
Protection in Outage	
Reporting	
Card NO	Yes
Access	Yes
Alarm	Yes
Specifications	
Power	DC12V ± 10%
Power Consumption	Standby ≤0.5W ; working ≤1W
Environment	-10°C~+60°C 10~95%RH
Dimensions	58mm*51mm*24.5mm (length*width*height)
Weight	0.56kg

#### Note:

- This manual is for reference only. Slight difference may be found in user interface.
- All the designs and software here are subject to change without prior written notice.
- All trademarks and registered trademarks are the properties of their respective owners.
- If there is any uncertainty or controversy, please refer to the final explanation of us.
- Please visit our website or contact your local service engineer for more information.

1.2.51.18.11787-000