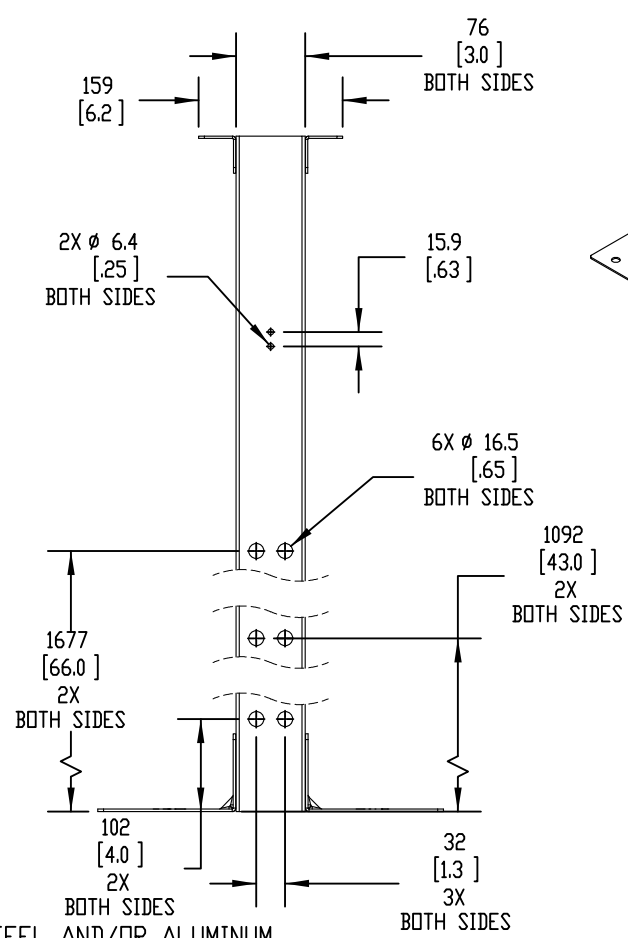
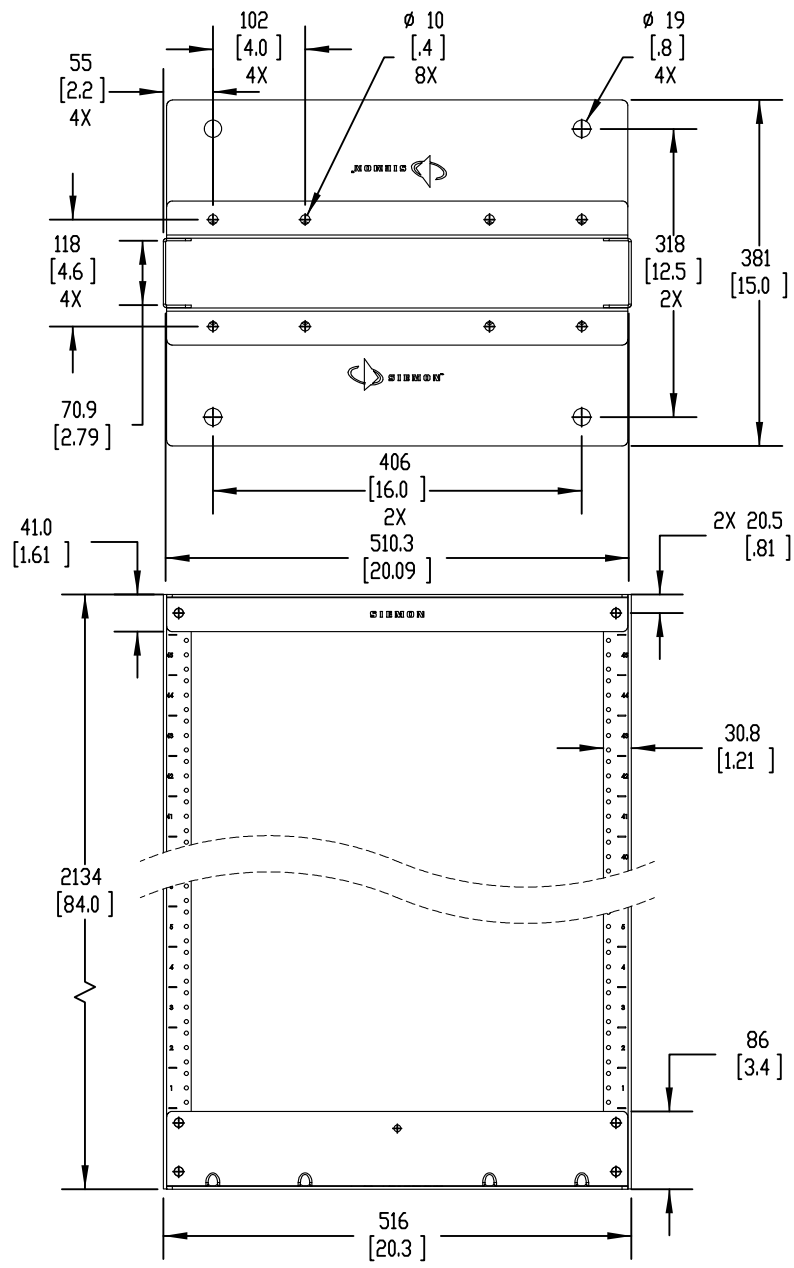
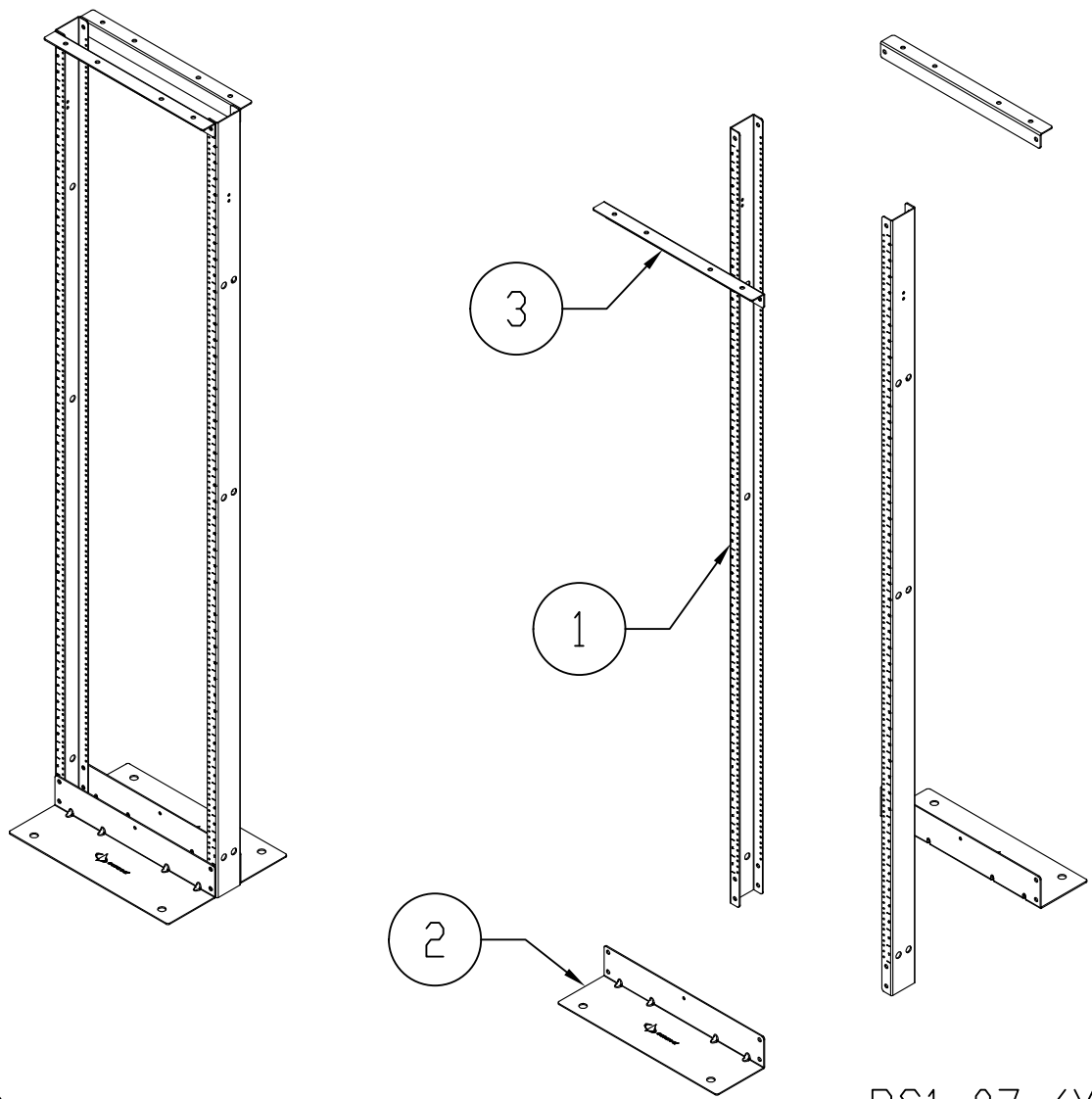


ITEM NO.	DESCRIPTION	QTY.	
1	VERTICAL RAILS, 12-24 THREADED, STEEL	2	0
2	BASE, STEEL	2	2
3	HEADER, STEEL	2	0
1	VERTICAL RAILS, 12-24 THREADED, ALUMINUM	0	2
3	HEADER, ALUMINUM	0	2
-	HARDWARE BAG, SEE NOTE 6	1	1
-	ASSEMBLY INSTRUCTIONS & DDC.	1	1

RS1-07-S
RS1-07-A



REVISIONS					
REV.	ZCN/ECD	DESCRIPTION	BY	DATE	APPROVED
1A	ECR 5037	INITIAL ENGINEERING RELEASE	EMP	8/4/2016	DAVID G 8/23/16



RS1-07-(X)
S - STEEL
A - ALUMINUM

- NOTES:
- MATERIAL: VARIOUS GAUGES OF HIGH GRADE METAL ALLOY STEEL AND/OR ALUMINUM.
 - cULus LISTING: LISTED PER UL 1863 AND CAN/CSA-C22.2 NO. 182.4.
 - REFERENCE PRODUCT INSTRUCTIONS FOR USE OF PRODUCT.
 - CONTACT A SIEMON CO. CUSTOMER SERVICE REPRESENTATIVE FOR ADDITIONAL INFORMATION.
 - U SPACE NO. 1 IS LOCATED AT BOTTOM OF RACK.
 - HARDWARE BAG INCLUDES ASSEMBLY HARDWARE, 30X EQUIPMENT MTG SCREWS/CUP WASHERS, 2X GROUND LUG NUTS

PROPRIETARY INFORMATION
THIS DOCUMENT CONTAINS PROPRIETARY INFORMATION OF THE SIEMON COMPANY AND IS DELIVERED ON THE EXPRESSED CONDITIONS THAT IT IS NOT TO BE DISCLOSED OR REPRODUCED IN WHOLE OR PART, OR USED FOR MANUFACTURING FOR ANYONE OTHER THAN THE SIEMON COMPANY WITHOUT ITS WRITTEN CONSENT AND THAT NO RIGHT IS GRANTED TO DISCLOSE OR SO USE ANY INFORMATION CONTAINED IN SAID DOCUMENT.

THE SIEMON COMPANY
101 SIEMON COMPANY DRIVE
WATERTOWN, CT 06795
(860) 945-4200
www.siemon.com

TOLERANCES

0 [0]	±1 [±0.4]
.0 [0.00]	±0.5 [±0.2]
.00 [0.000]	±0.25 [±0.1]
ANGLE	±1°

ANSI Y14.5M-1982 OR ISO 1101, 129 & 3040
PRIMARY DIMENSIONS ARE MILLIMETERS
DIMENSIONS IN BRACKETS [] ARE INCHES
DO NOT SCALE

DRAWN BY: Evan Platt DATE: 8/25/2016
CHECKED BY: David Giampietro DATE: 8/25/2016
ENGINEER: Peter Thickett DATE: 8/25/2016

TITLE
RS RACK SYSTEM, 7FT X 19IN,
STEEL & ALUMINUM, BLACK

DWG. SIZE B DWG. NO. 9037184

PART NO. RS1-07-(X) REV. A

SCALE 1:8 SHEET 1 OF 1

CUSTOMER USE DRAWING